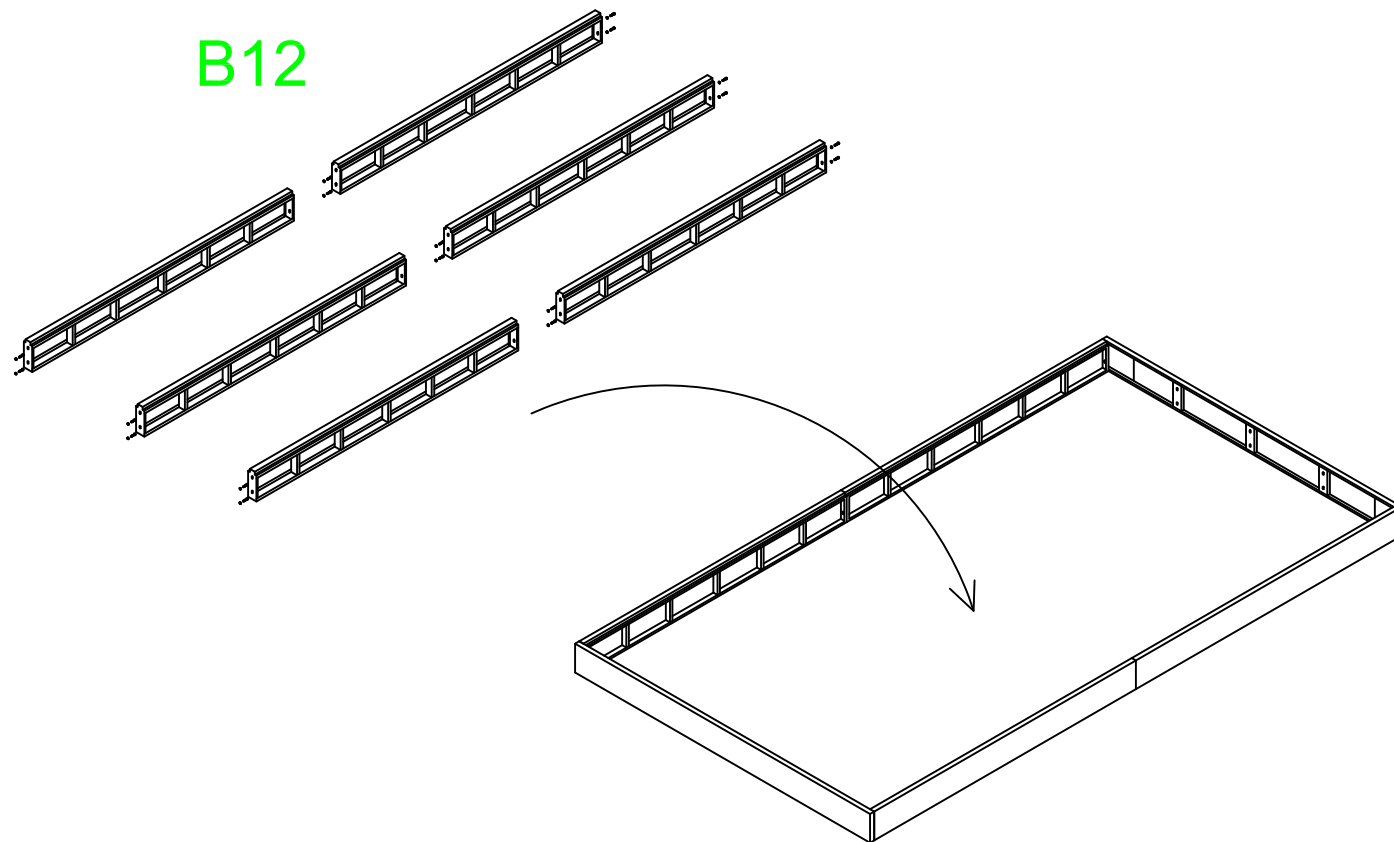
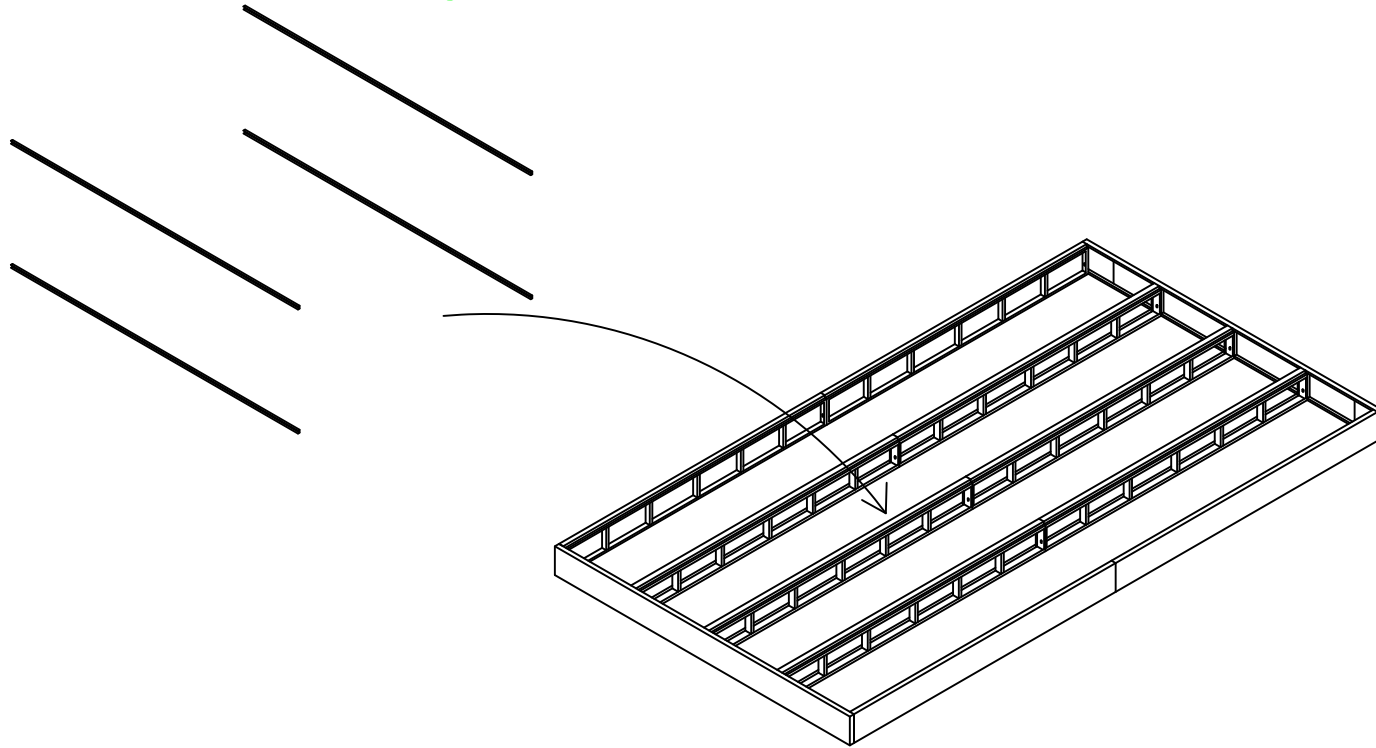
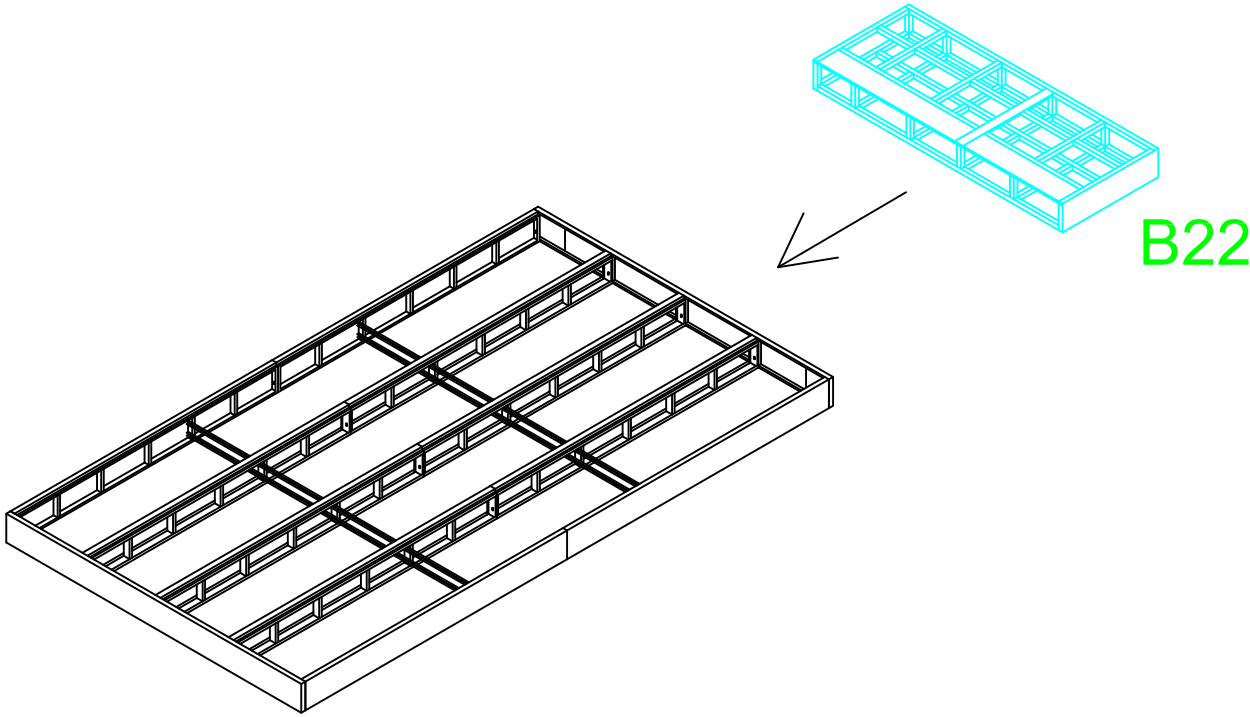


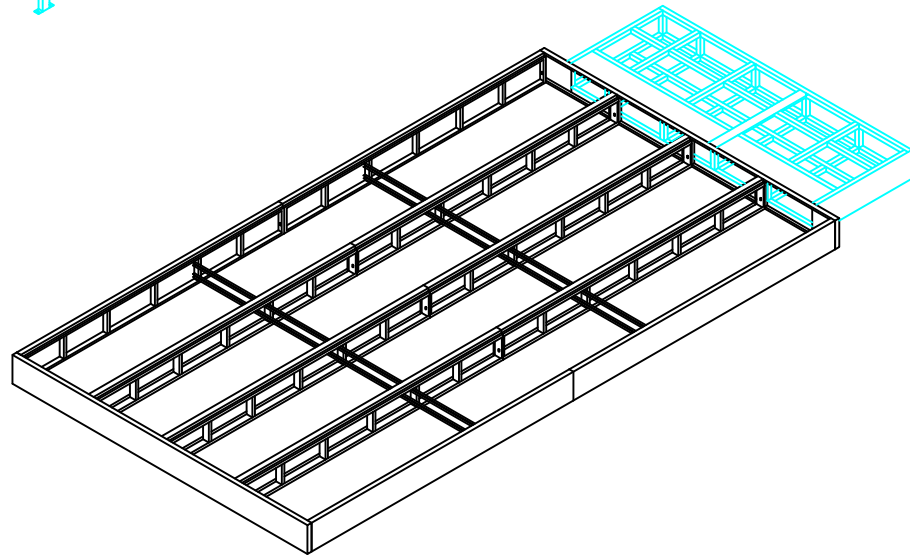
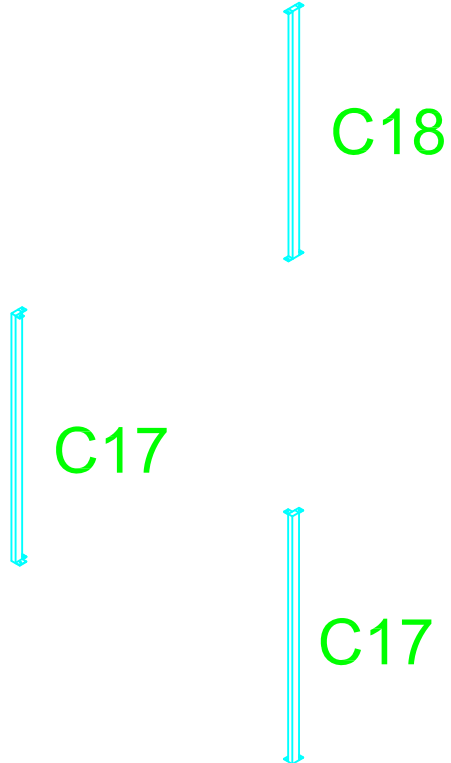
B12

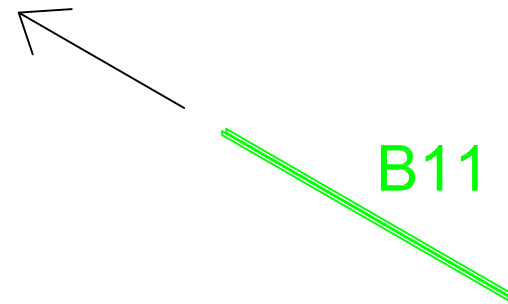
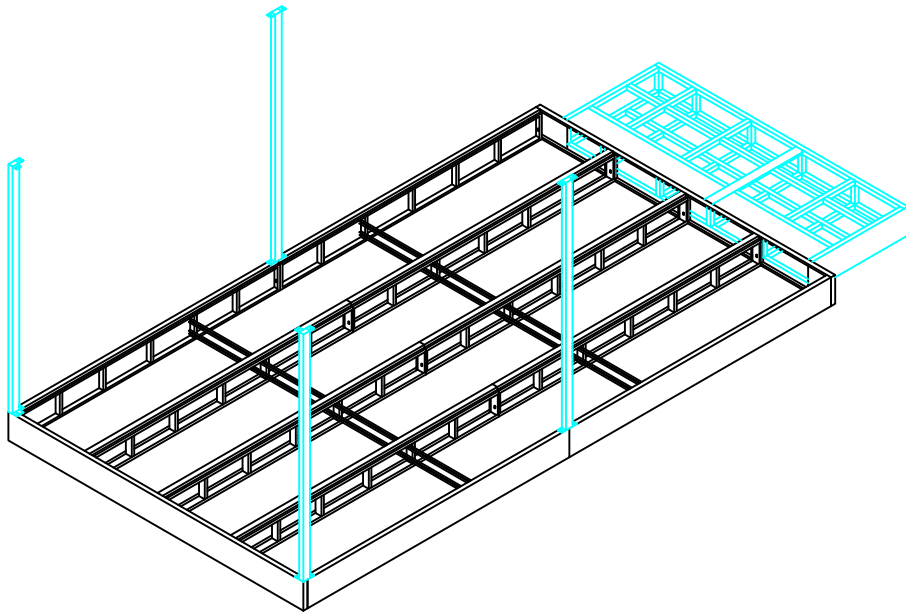


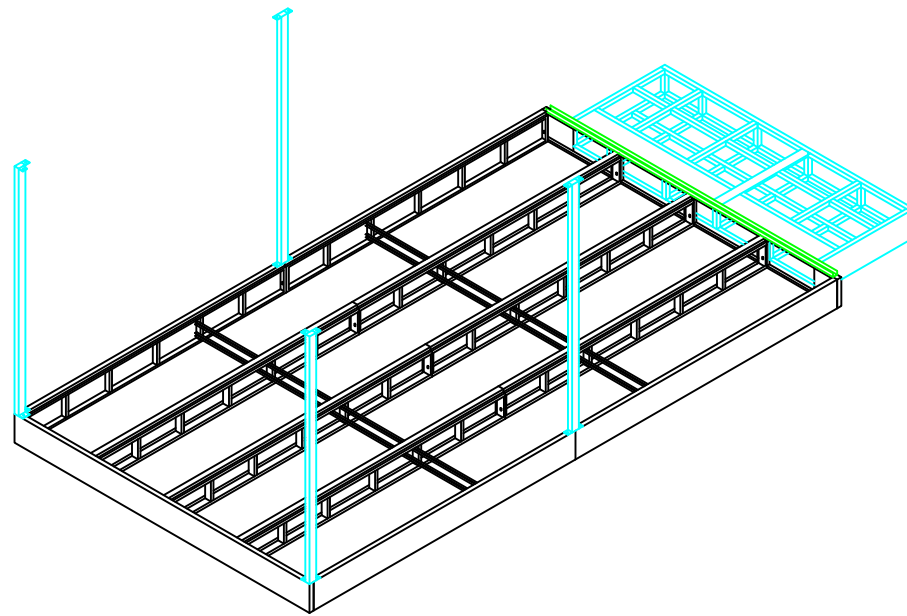
B9

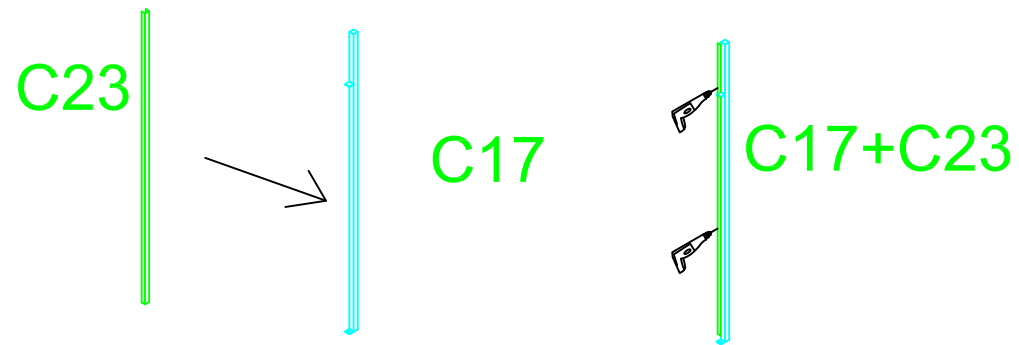






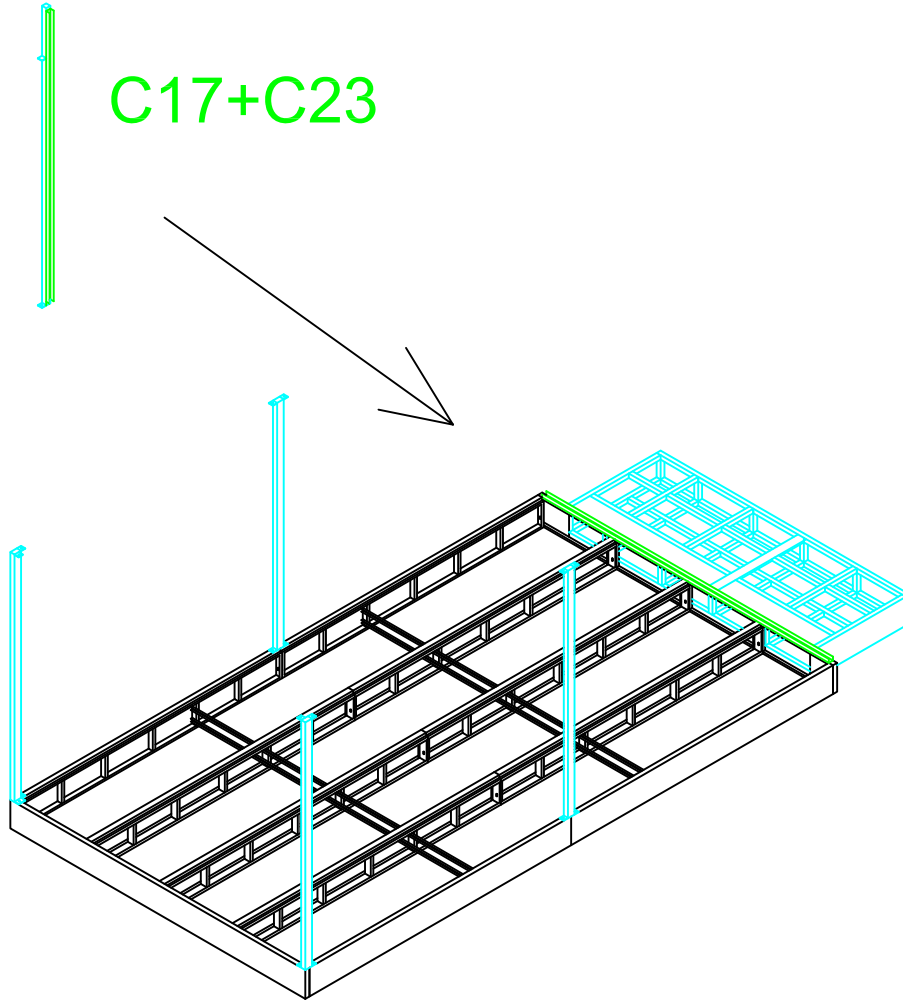


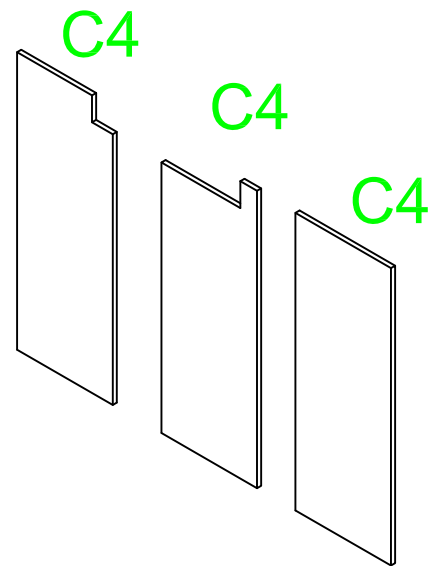
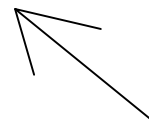
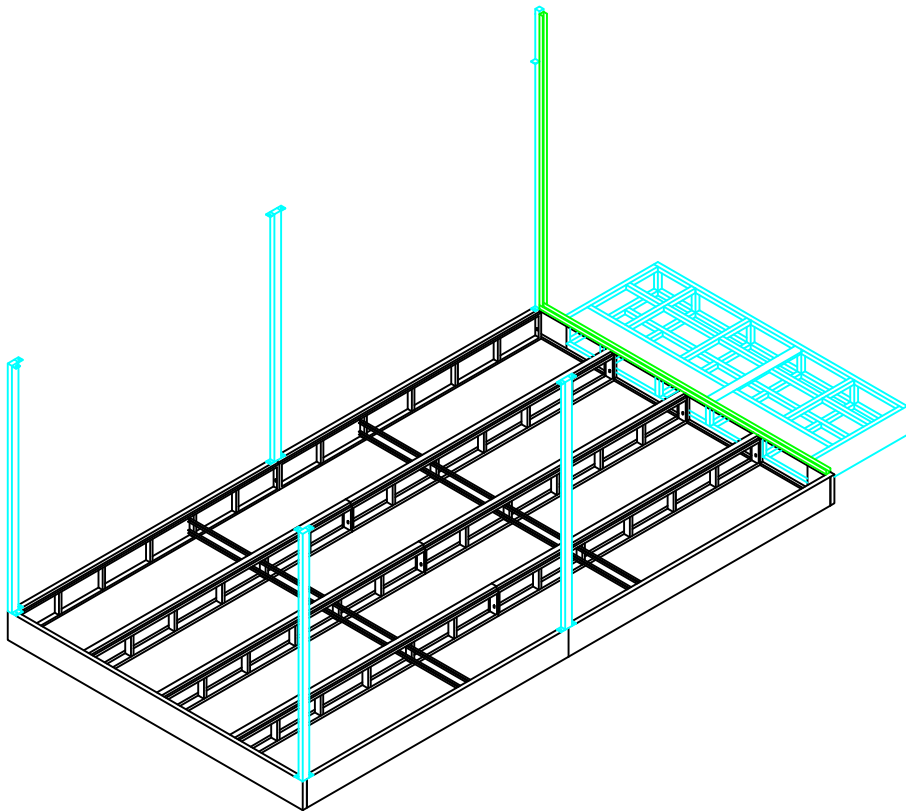


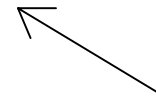
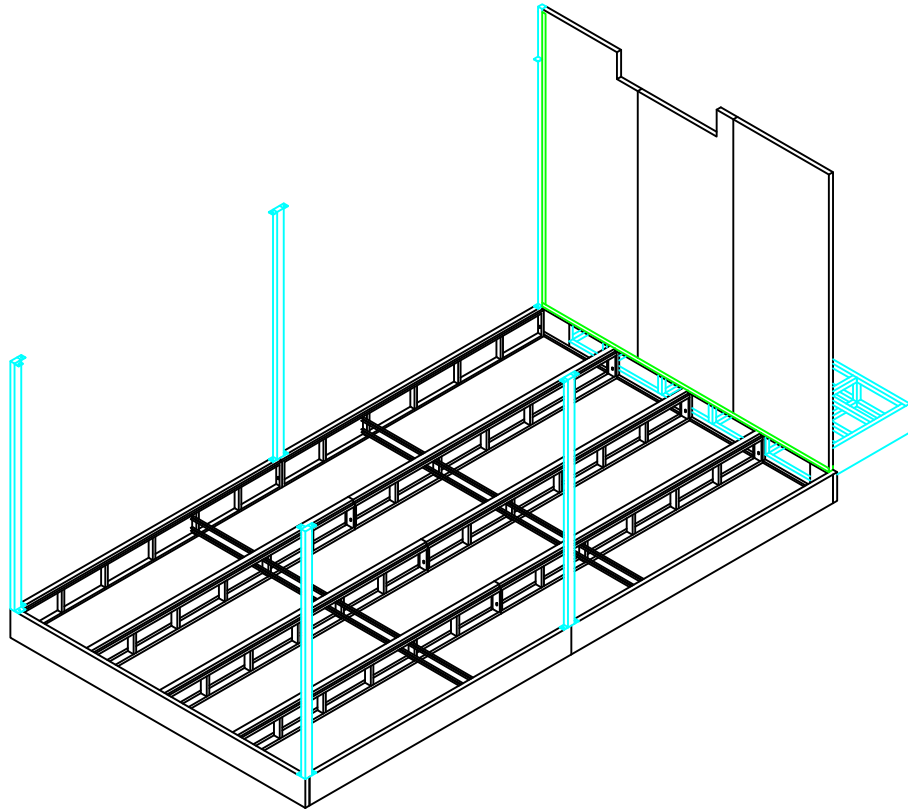




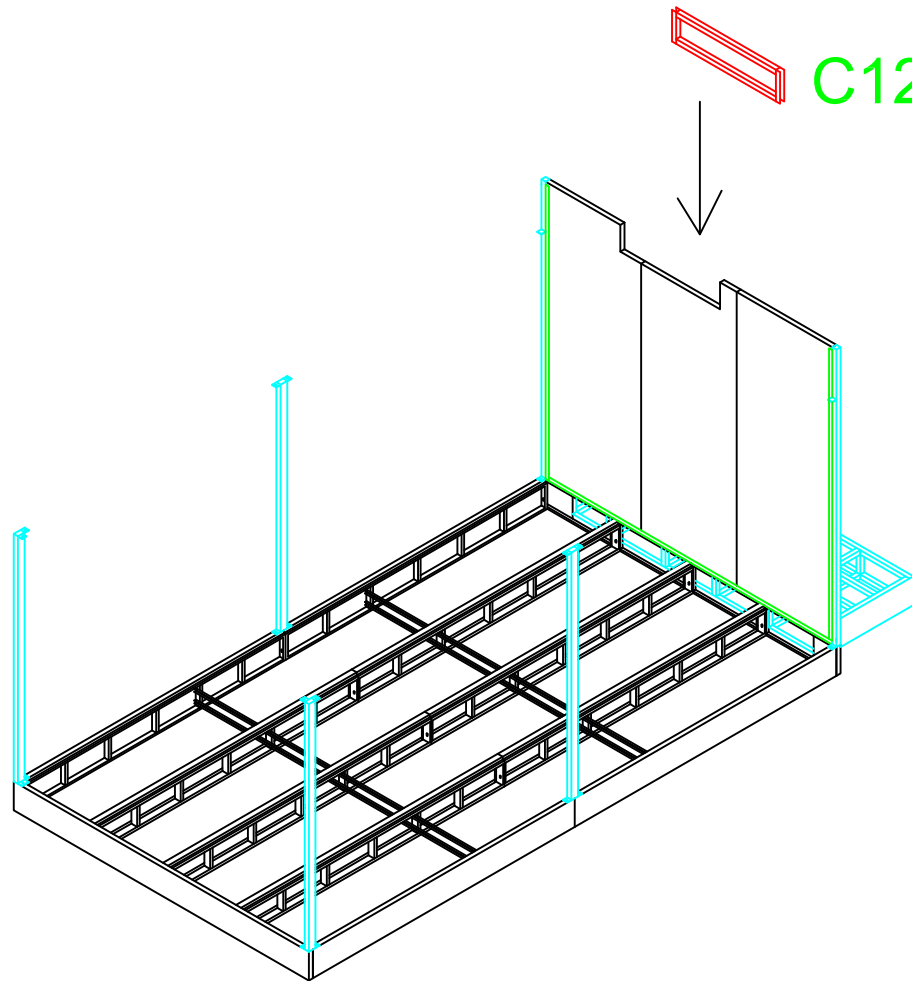
C17+C23



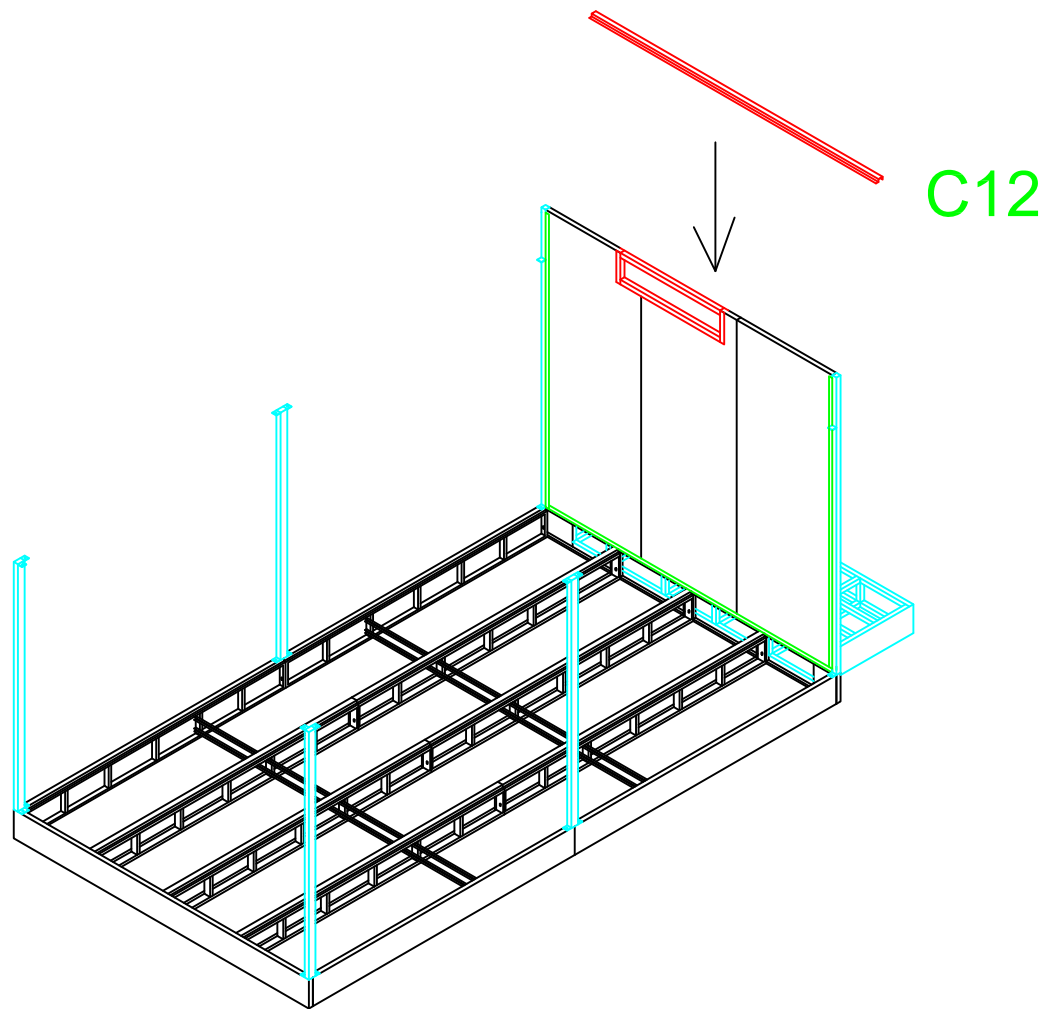


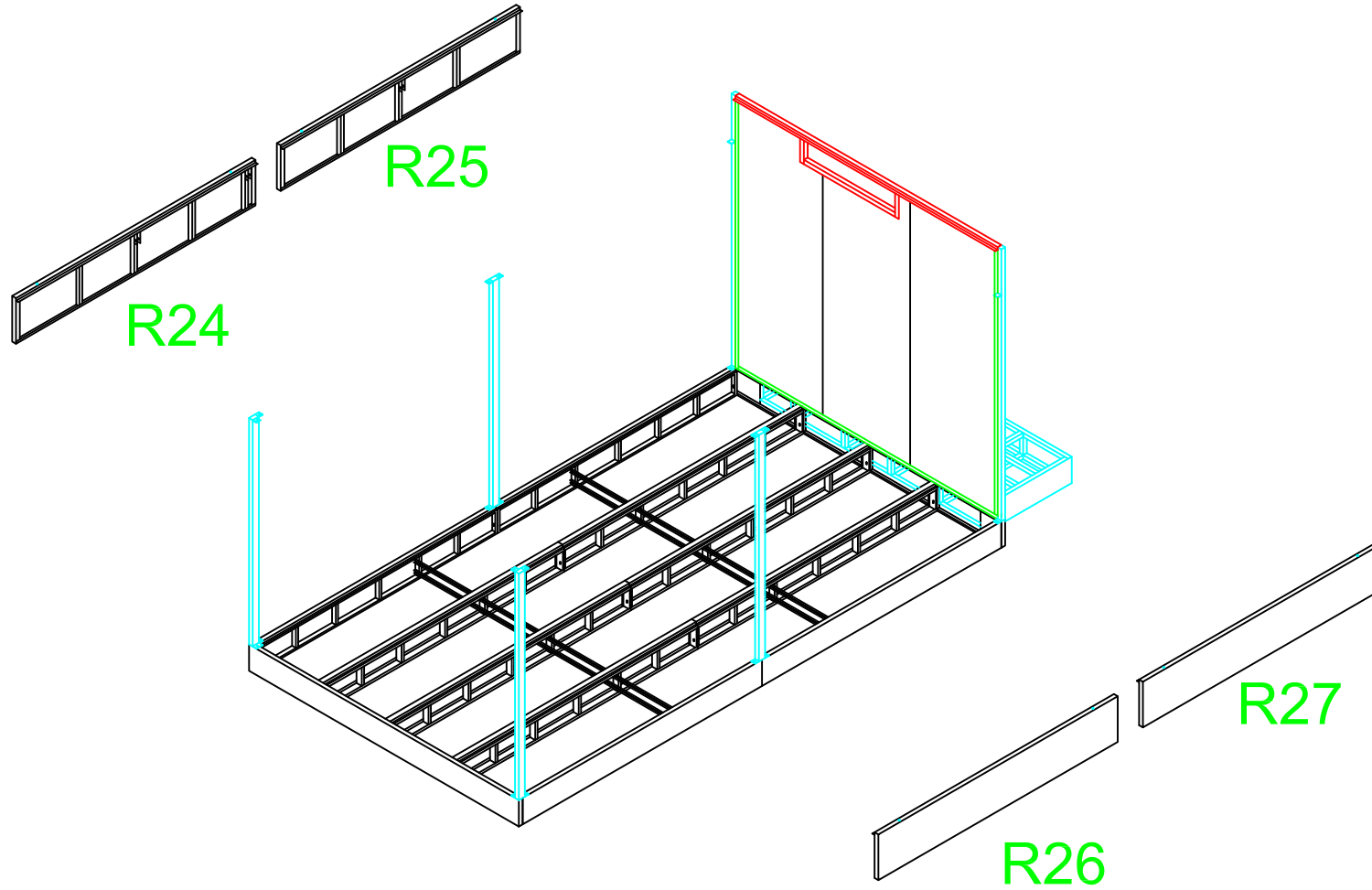


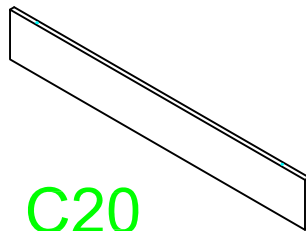
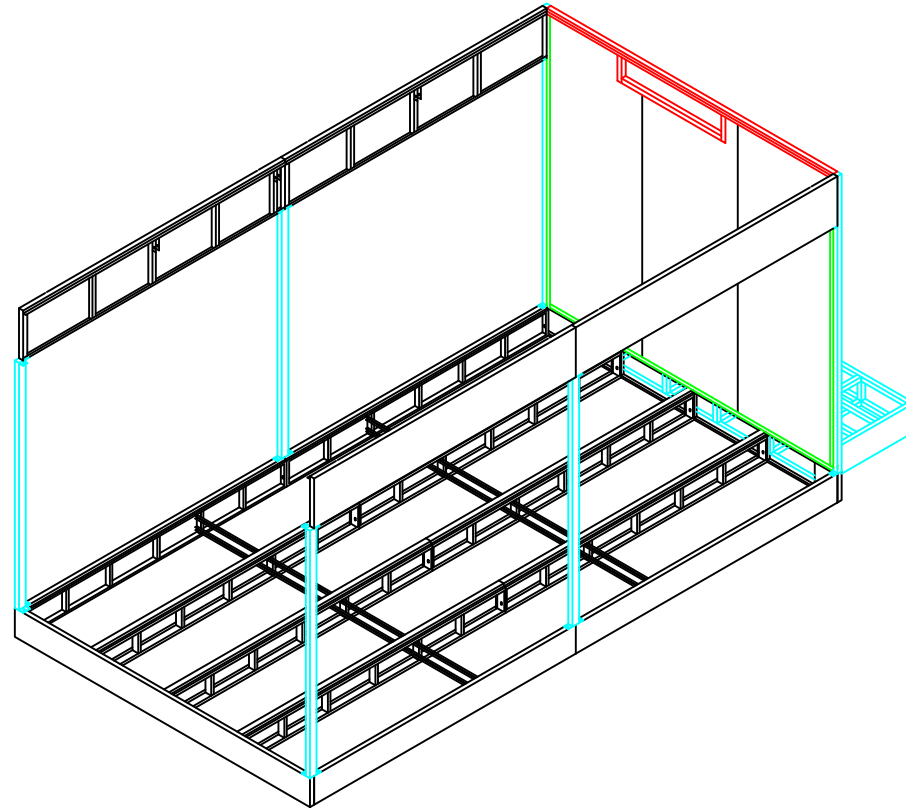
C17+C23



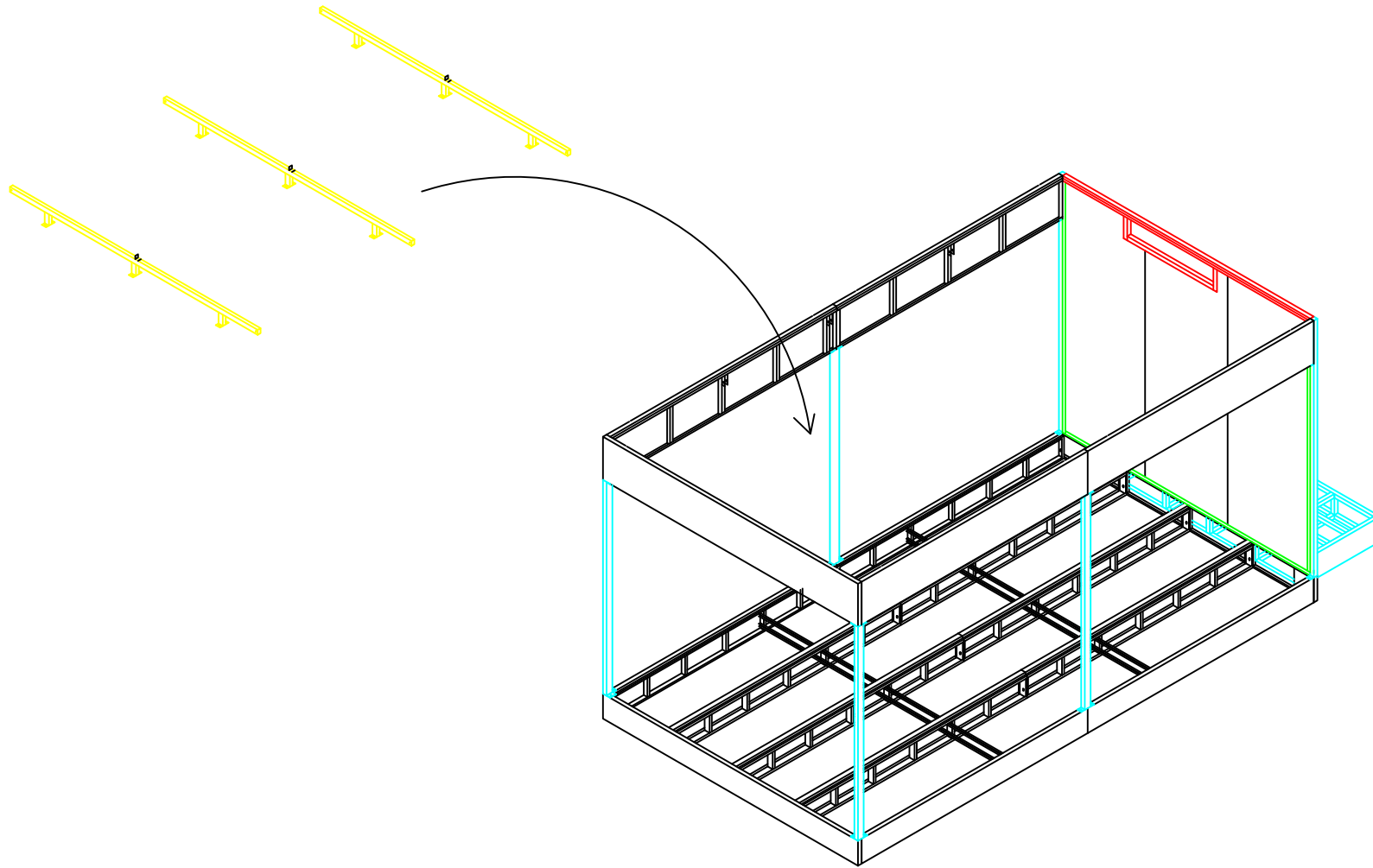
C12





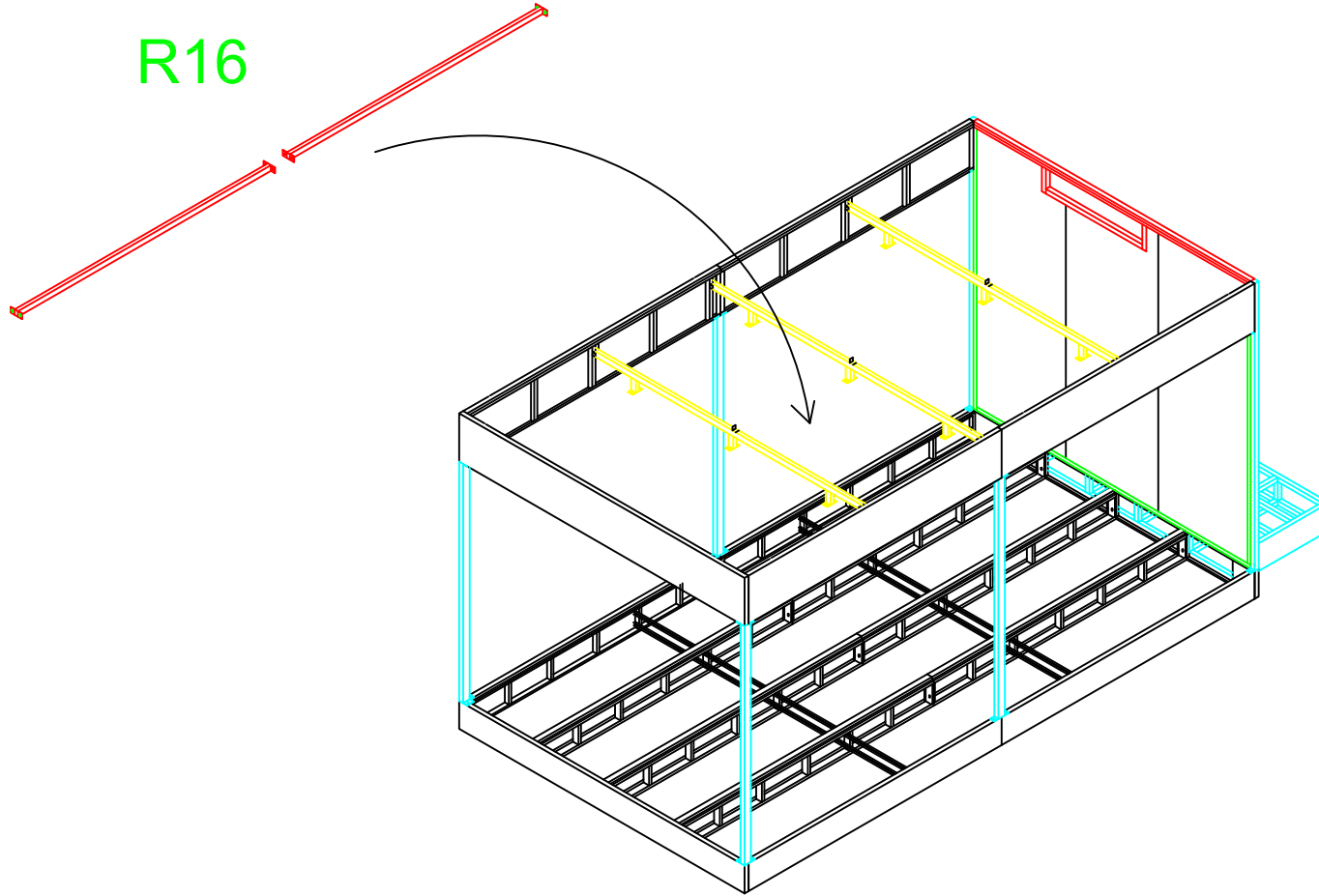


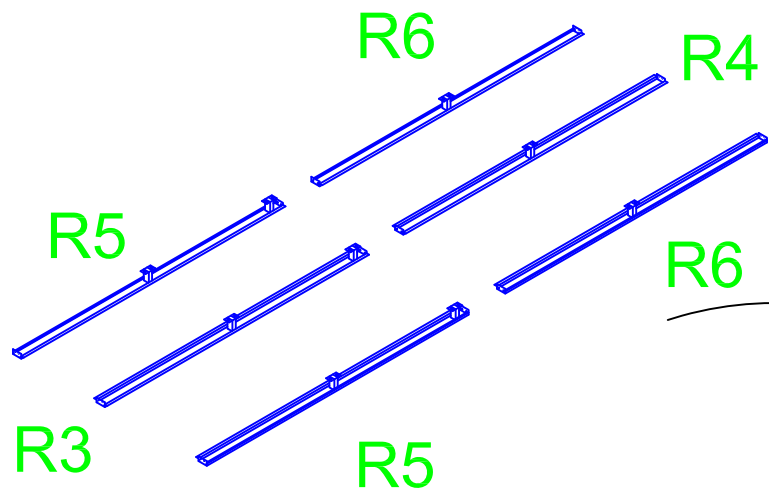
C20



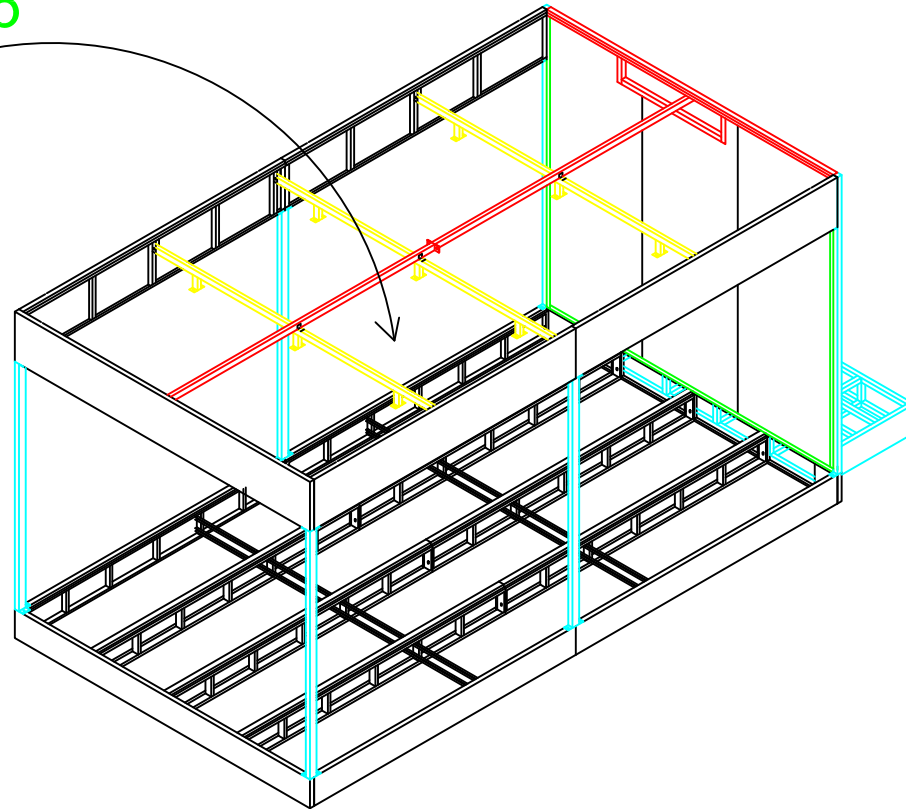


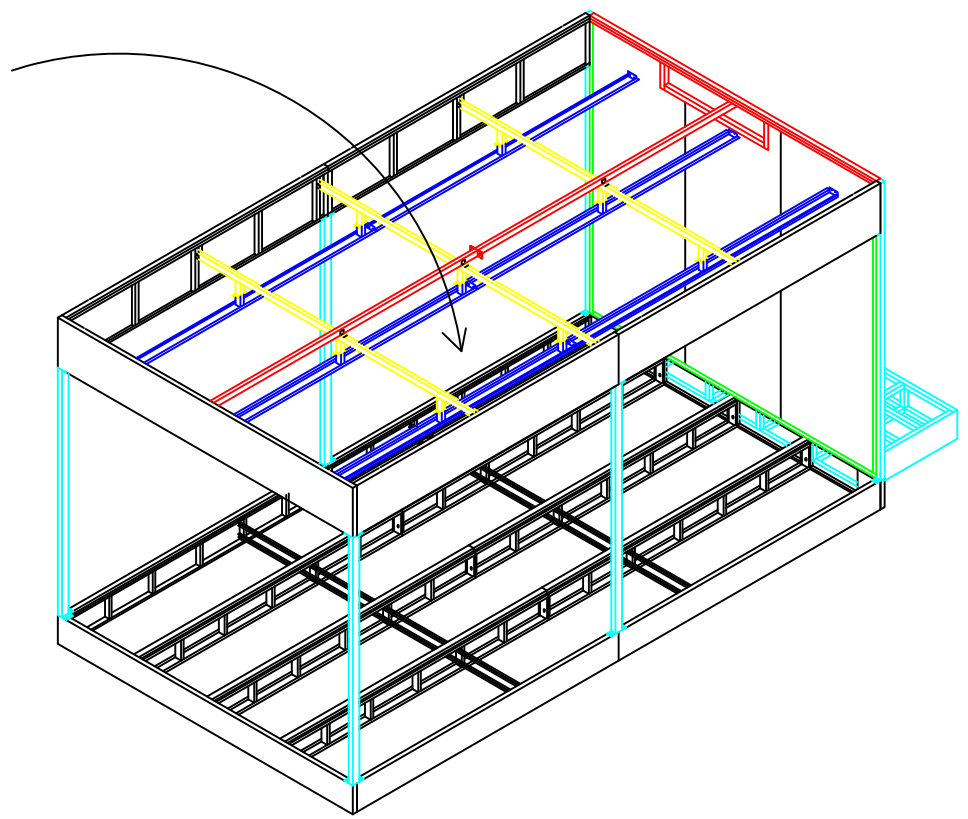
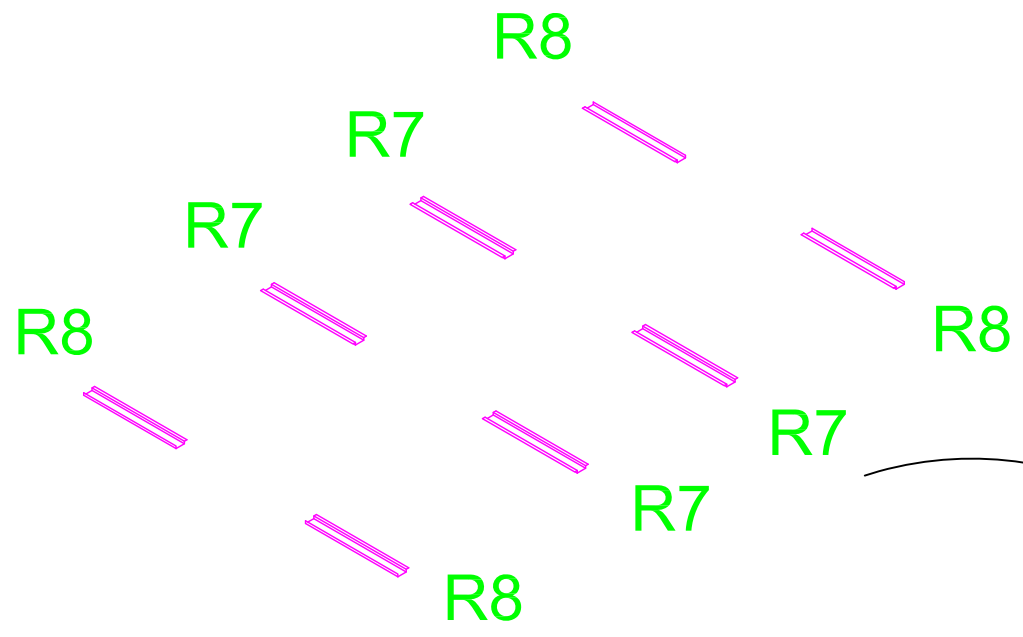
R16

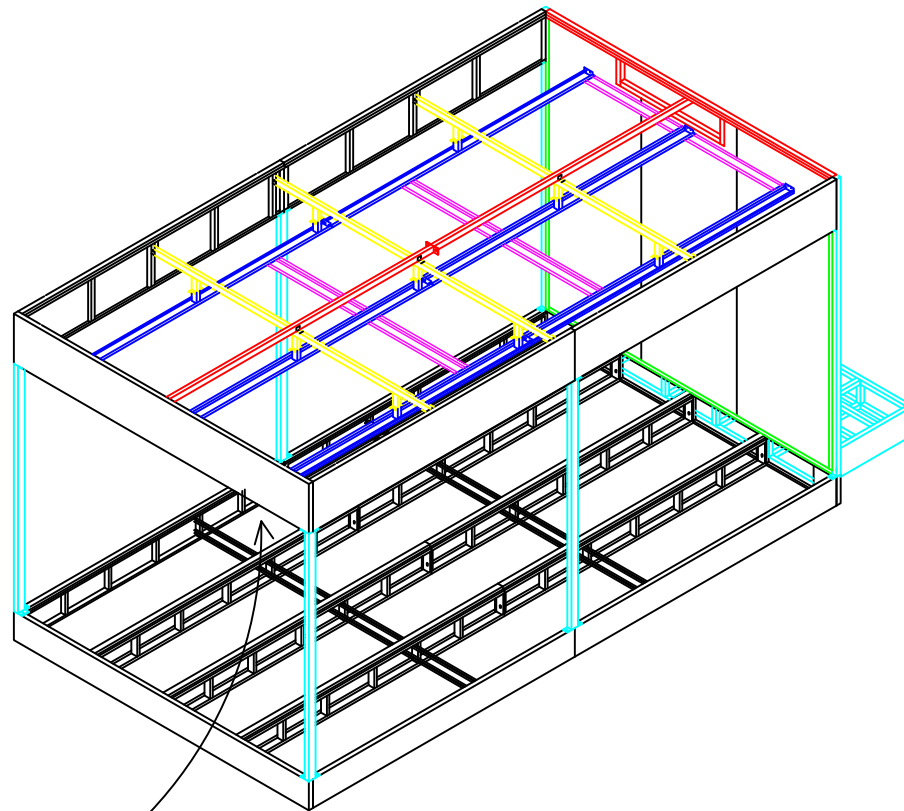
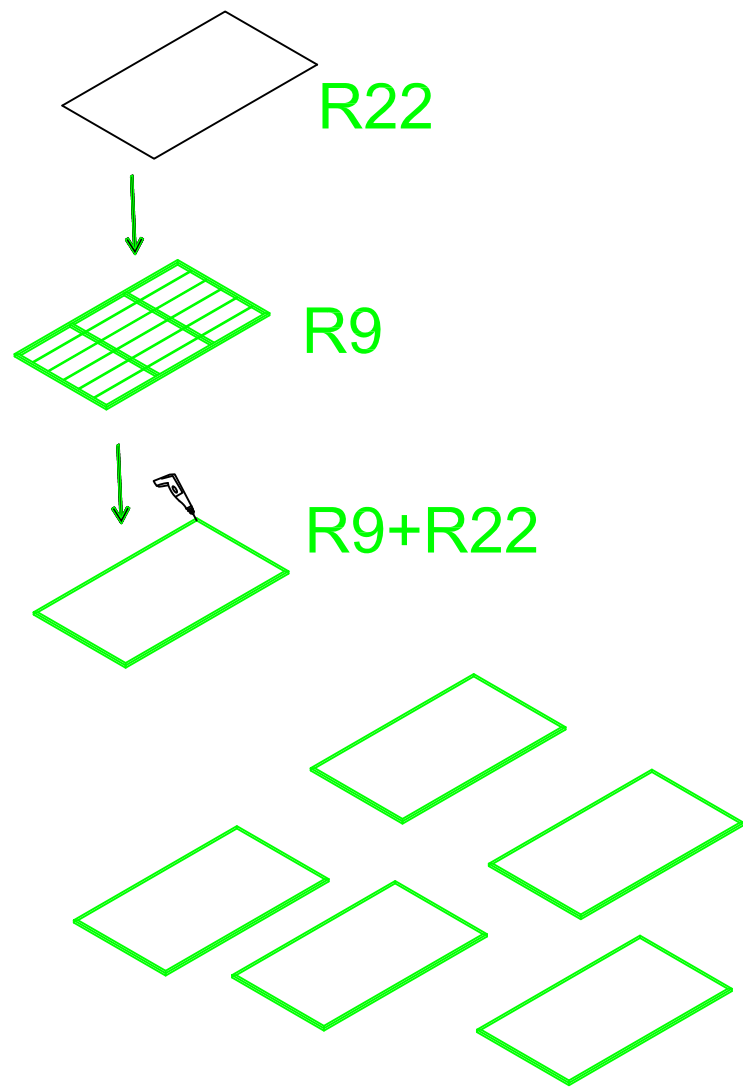


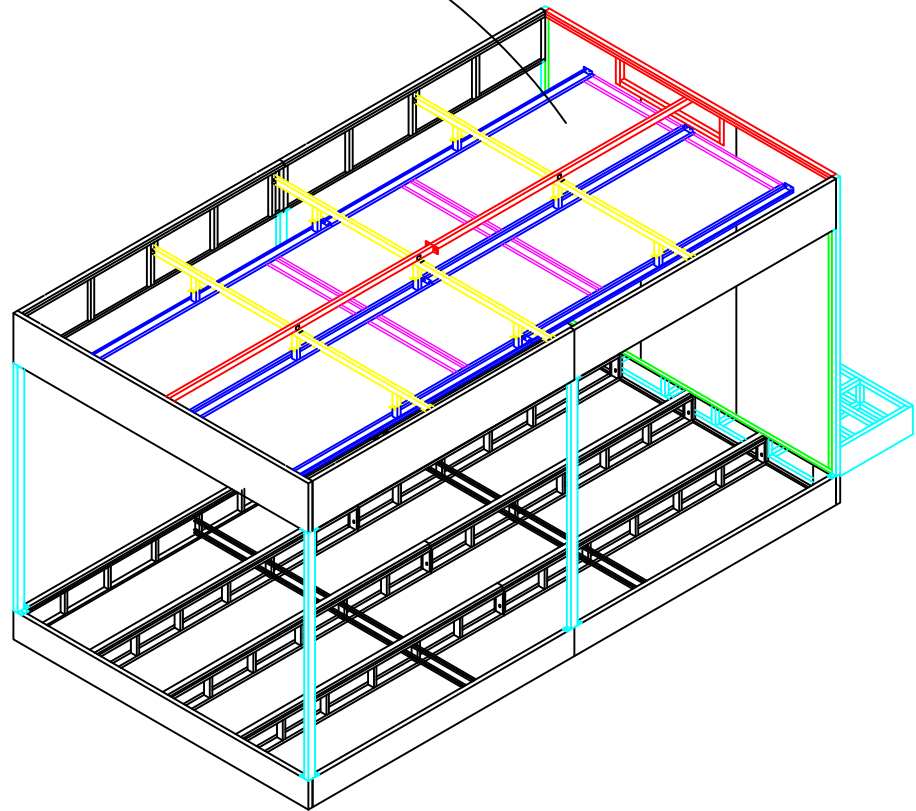
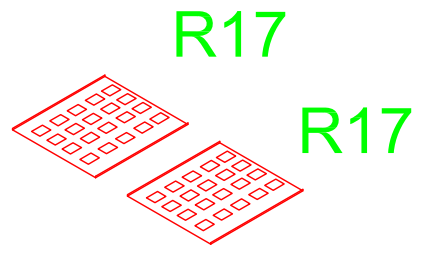


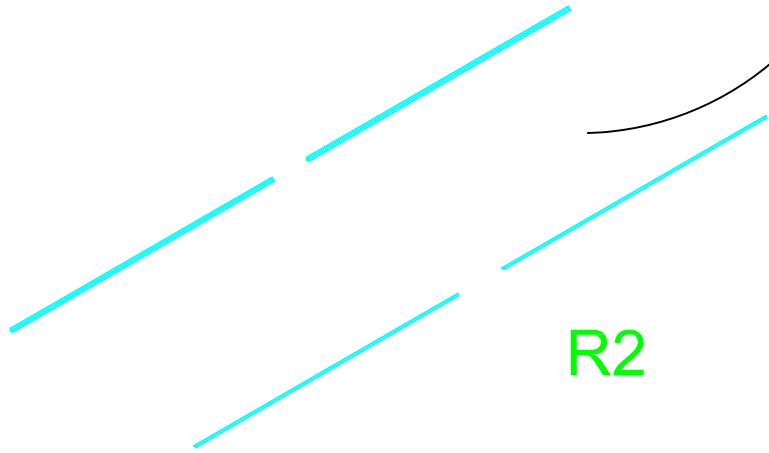
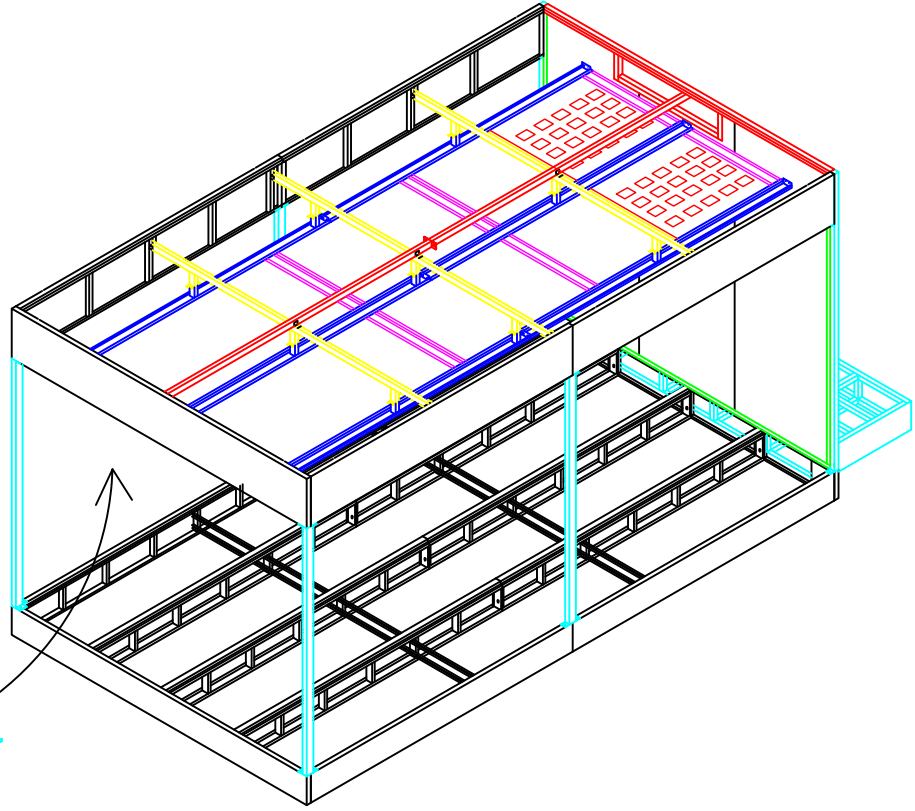
R6



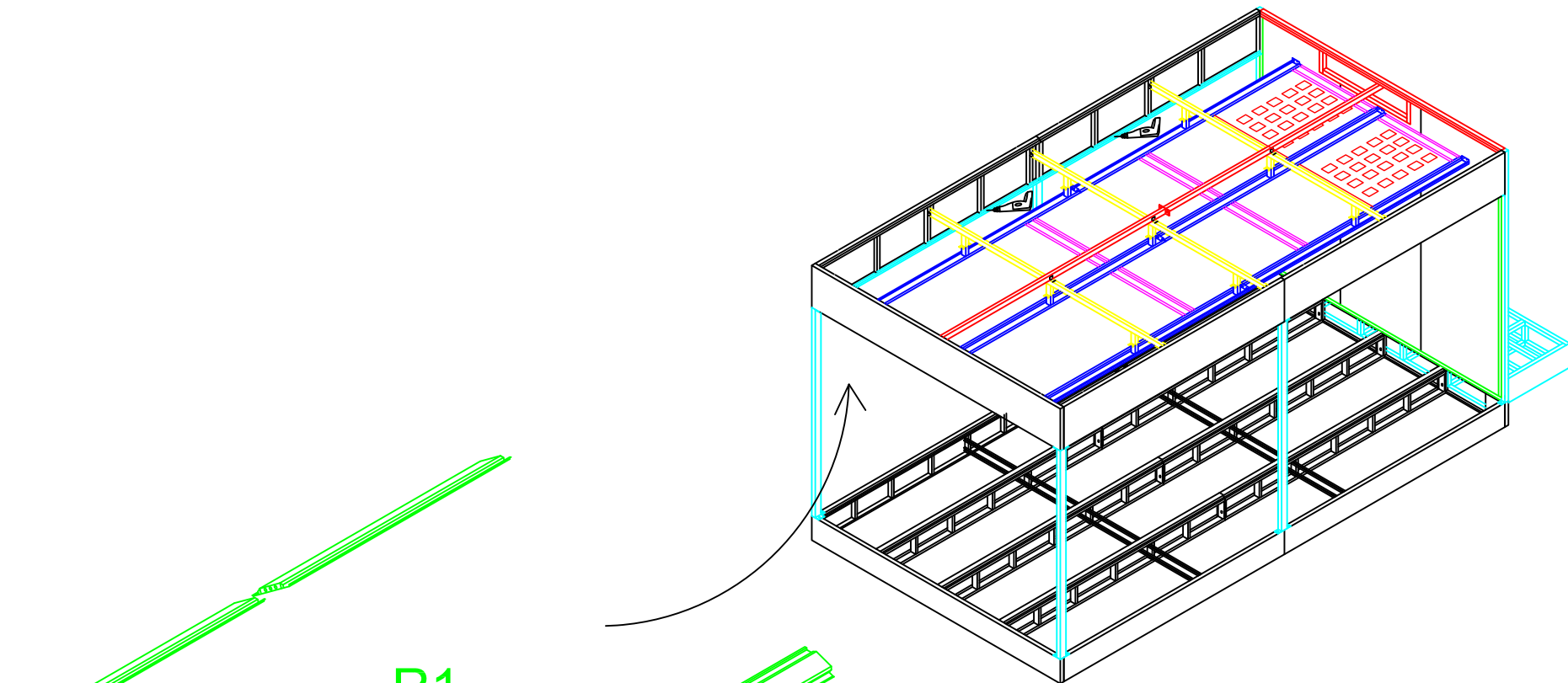




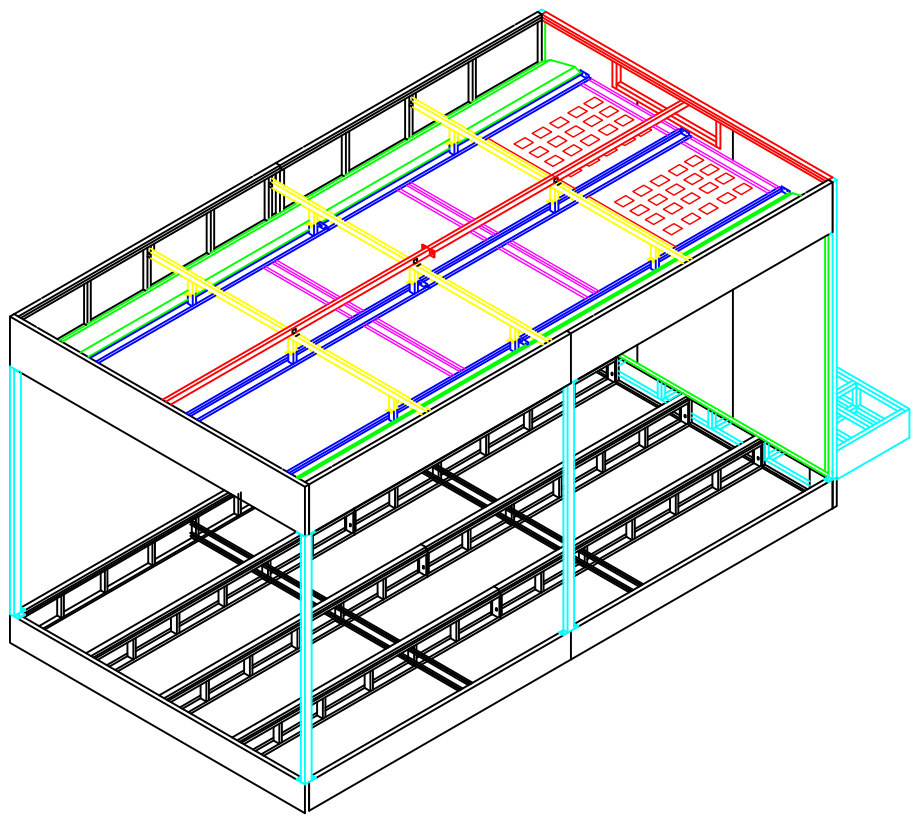
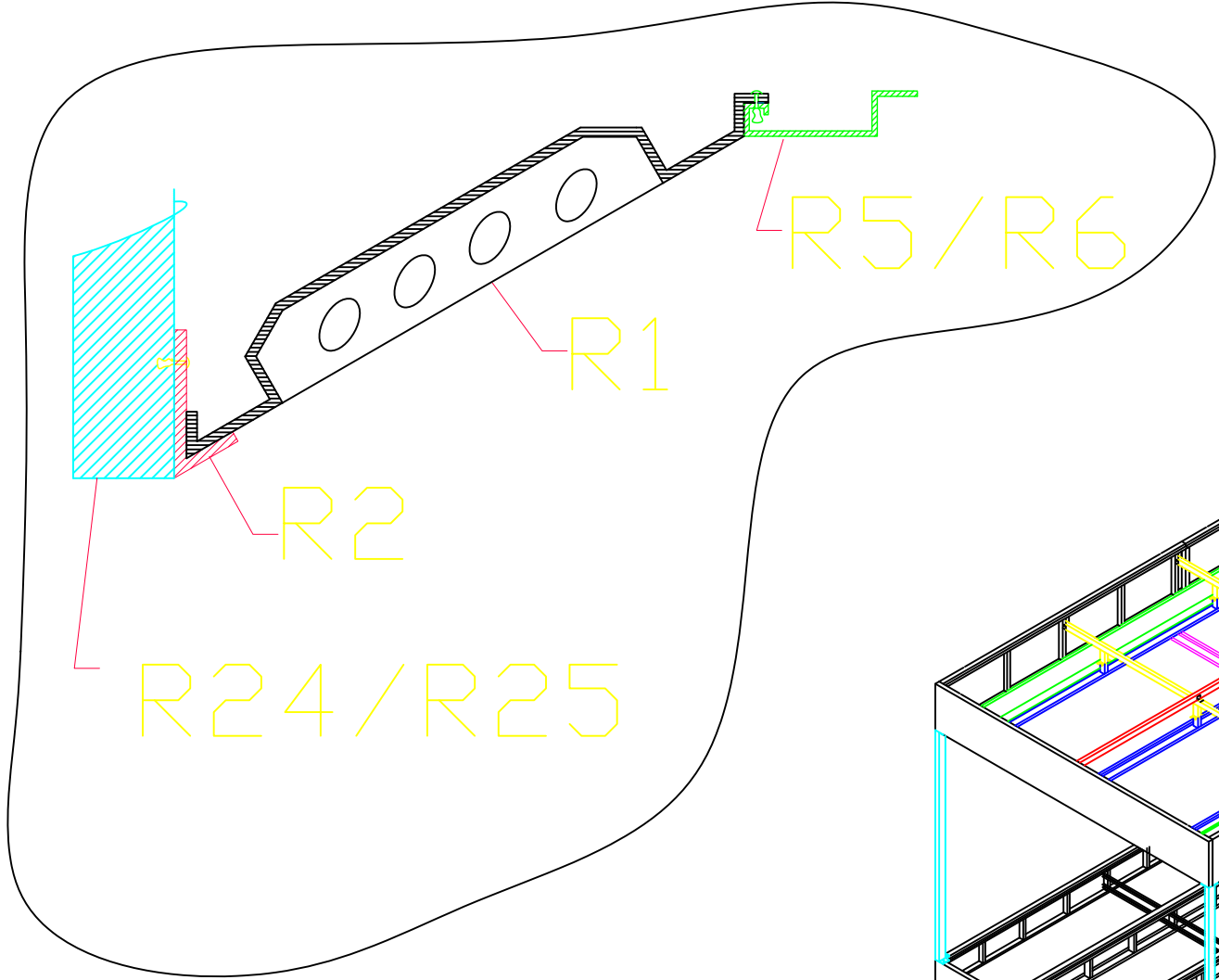




R2



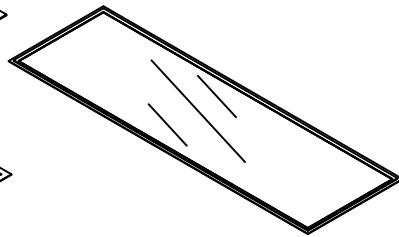
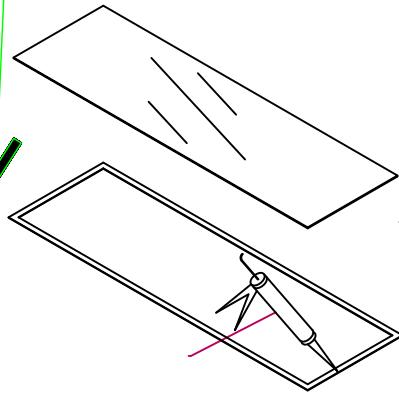
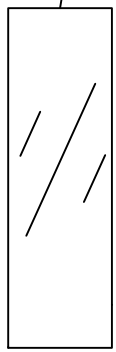
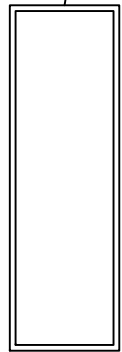
R1





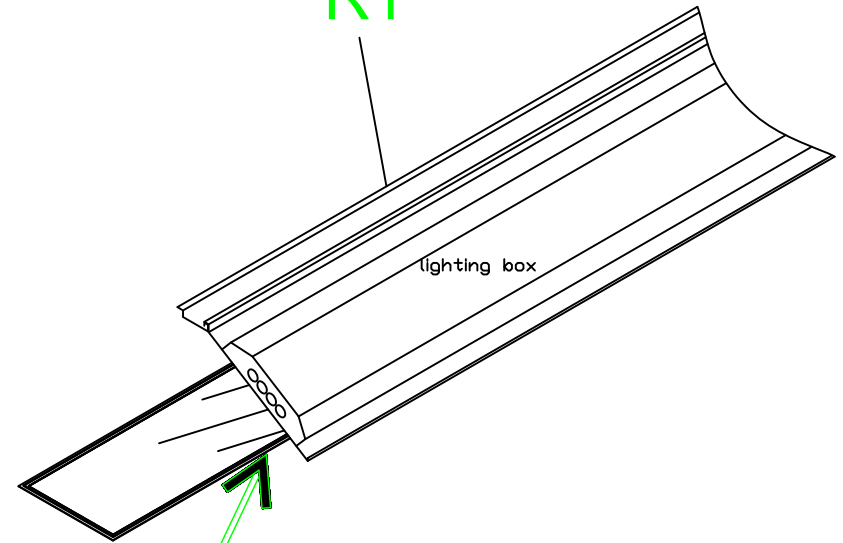
Glass Frame

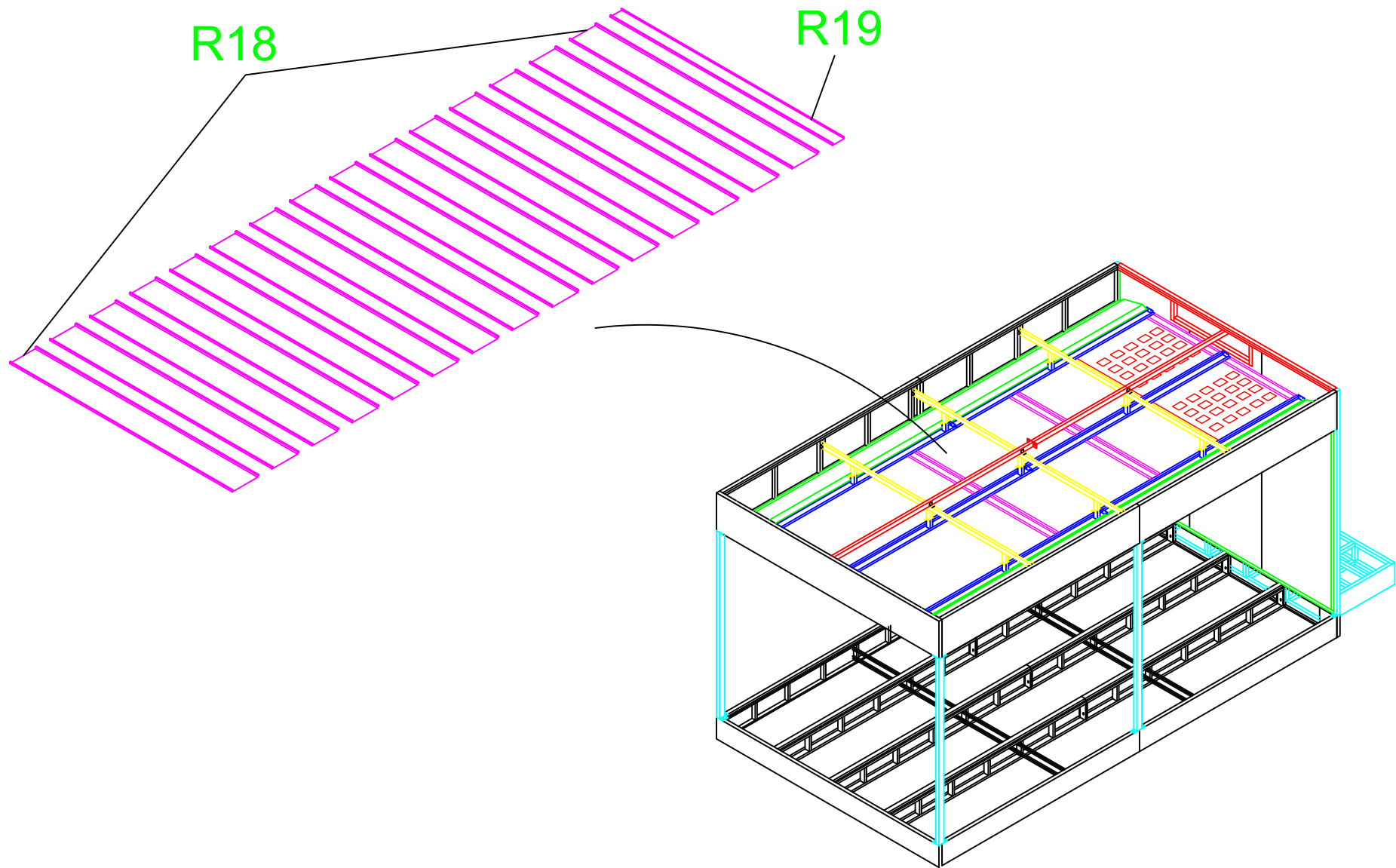
R23

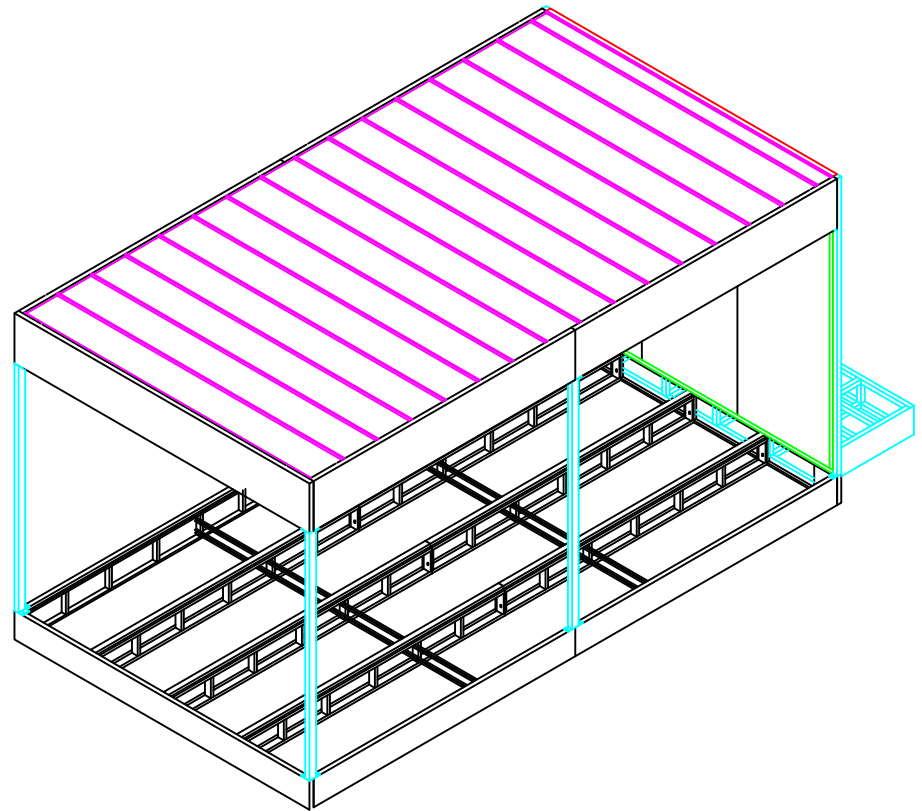


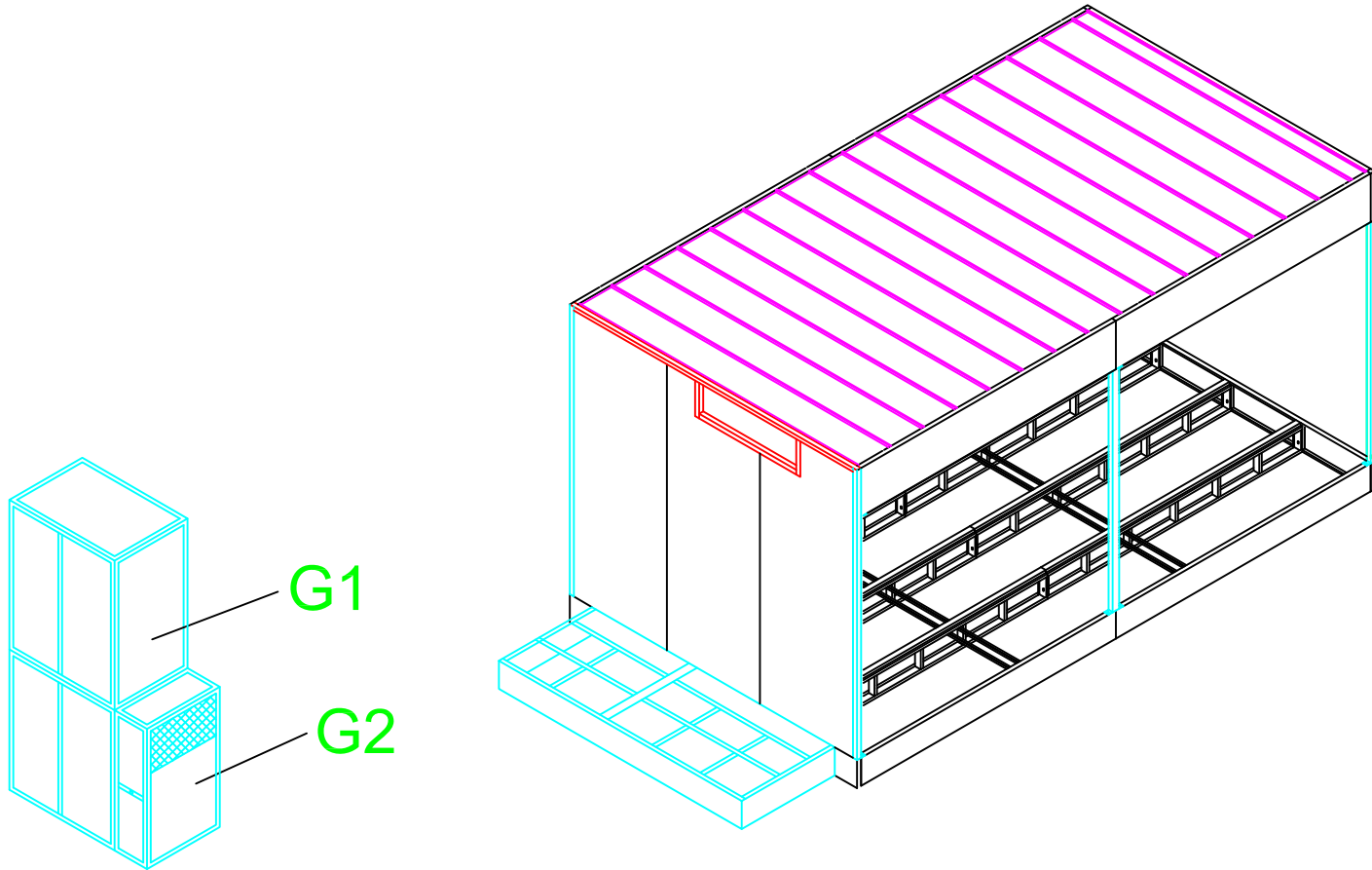
R1

lighting box

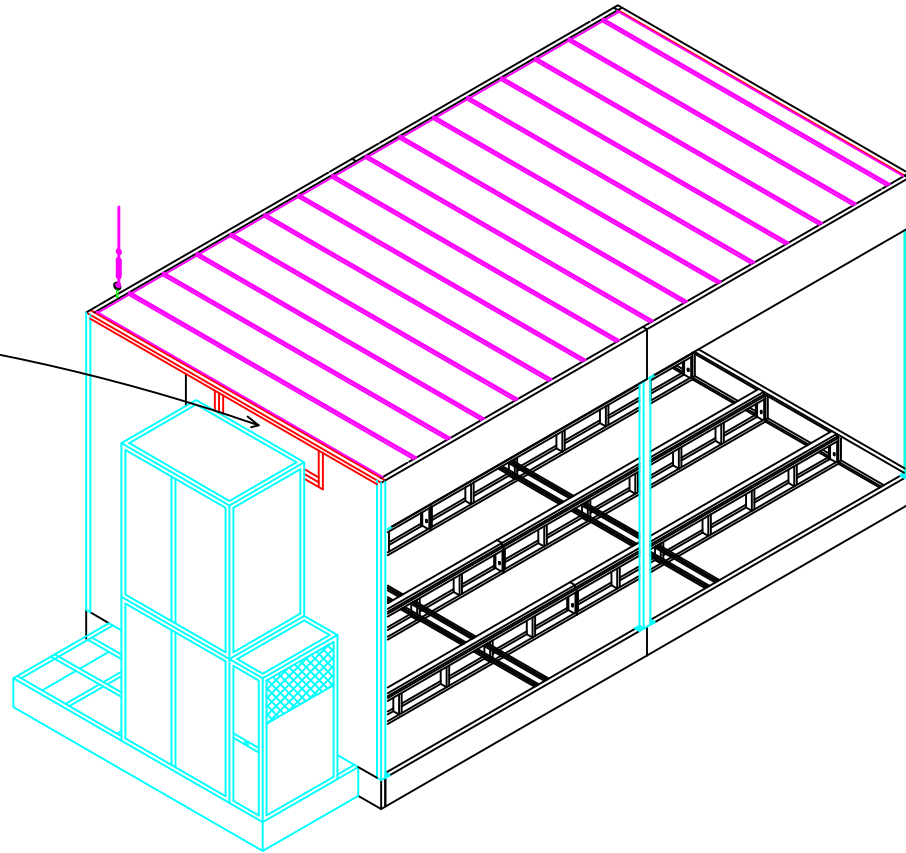
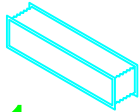




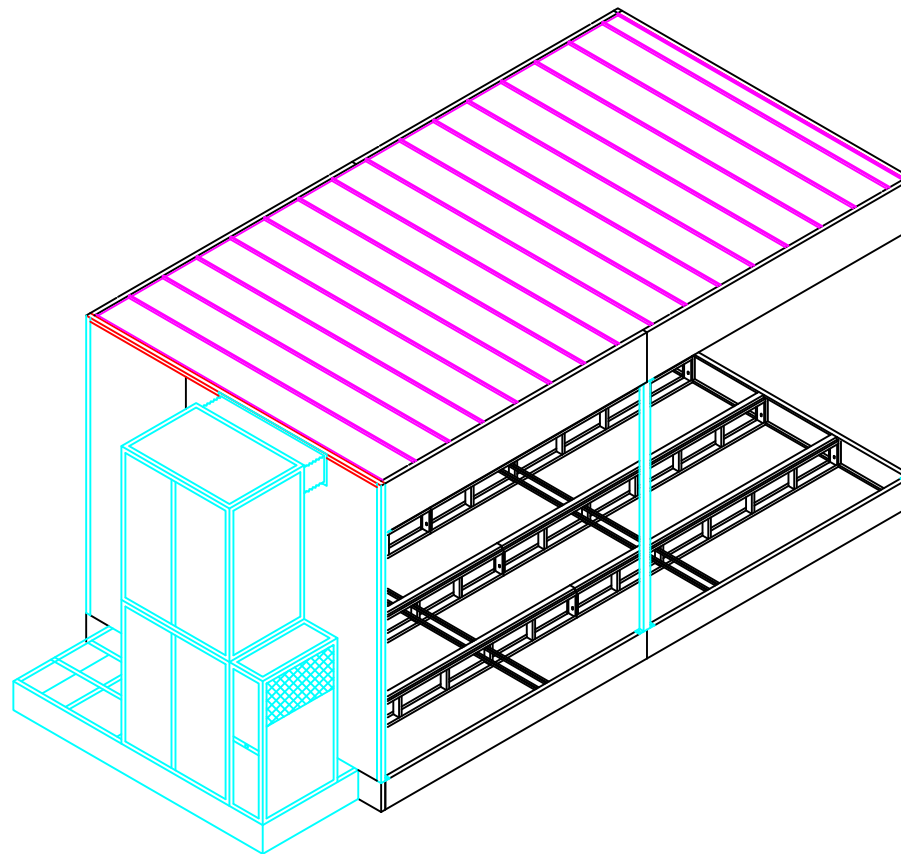




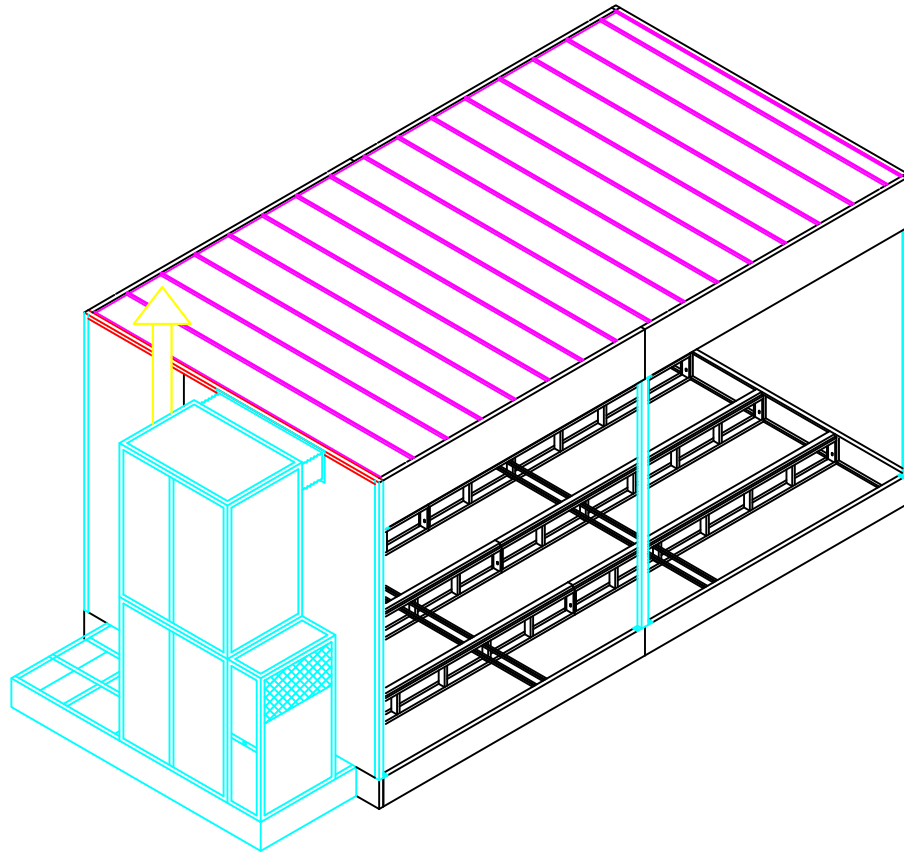
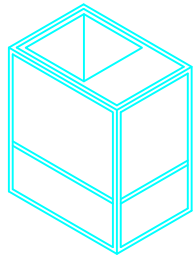
G21

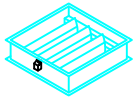
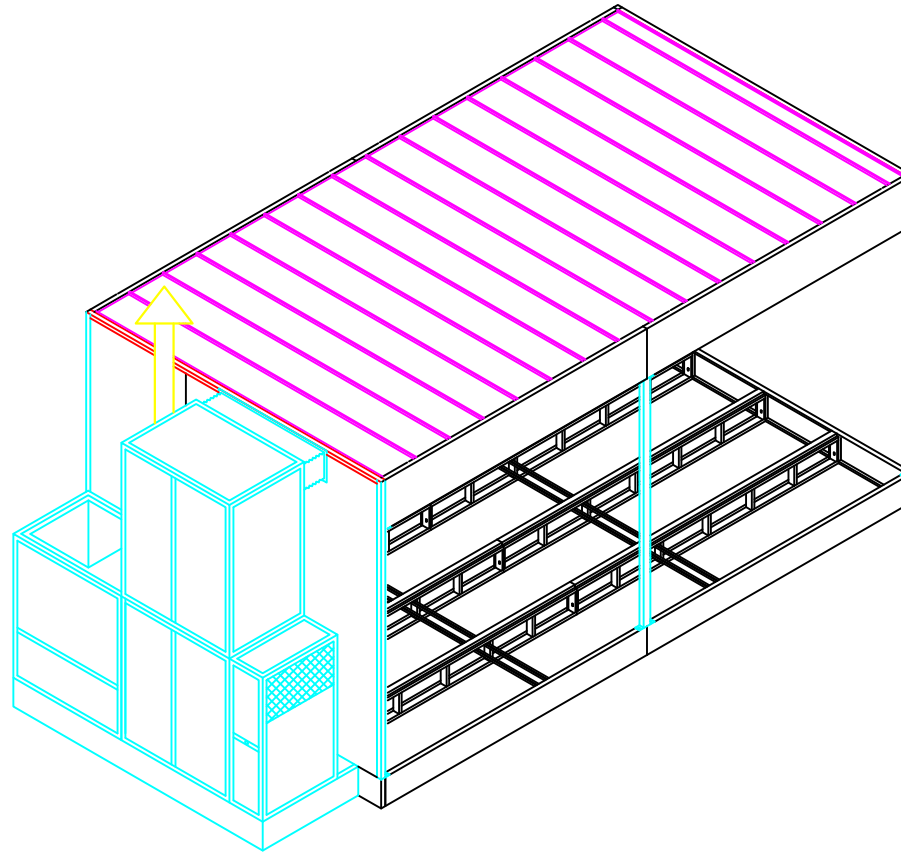


- G20
- G17
- G19



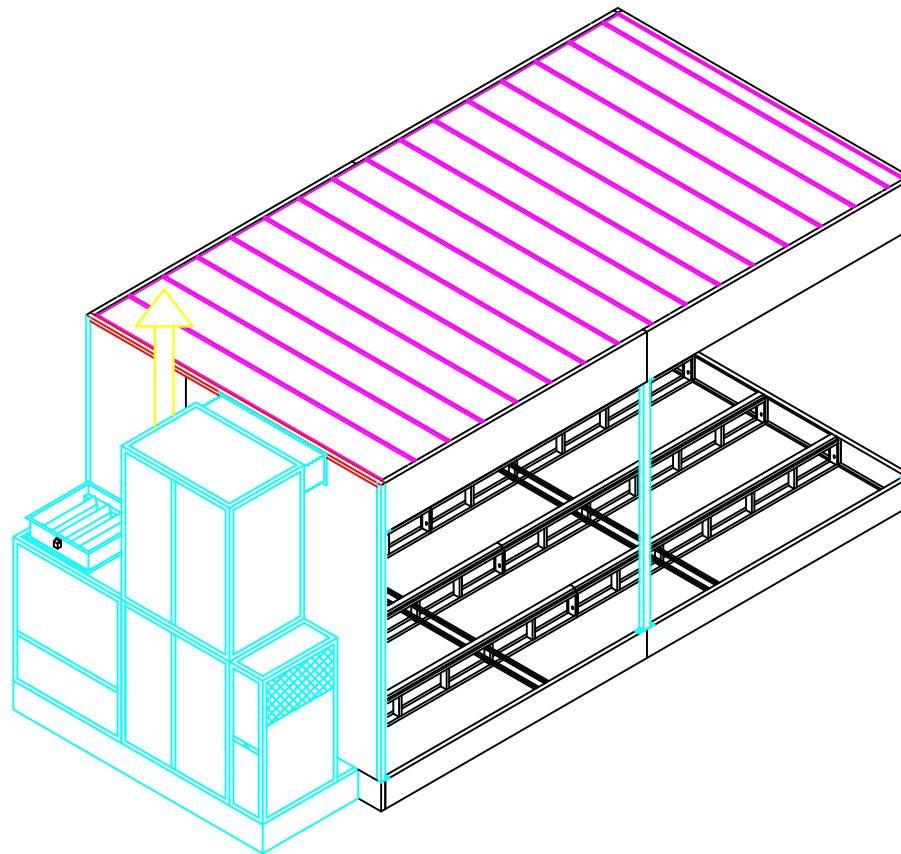
G4

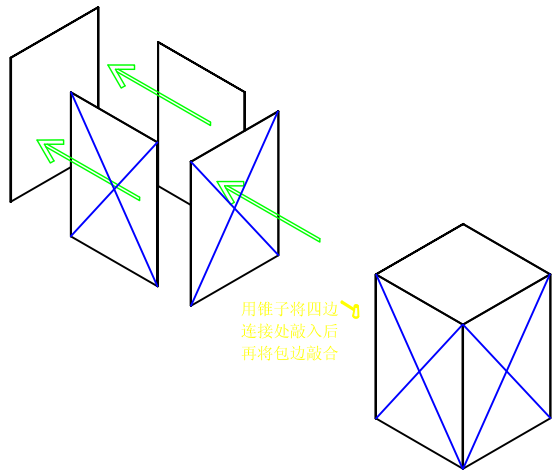




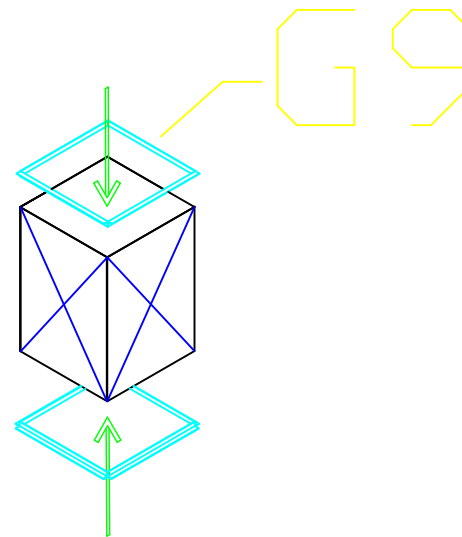
G7



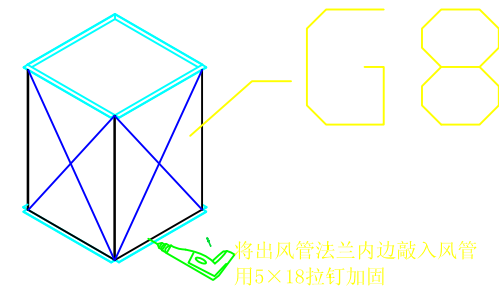




用锥子将四边  
连接处敲入后  
再将包边敲合



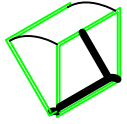
G9



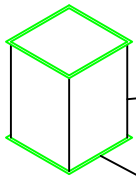
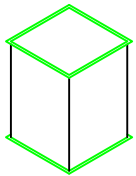
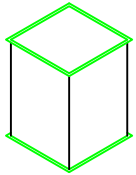
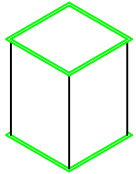
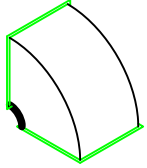
G8

将出风管法兰内边敲入风管  
用5×18拉钉加固

G12

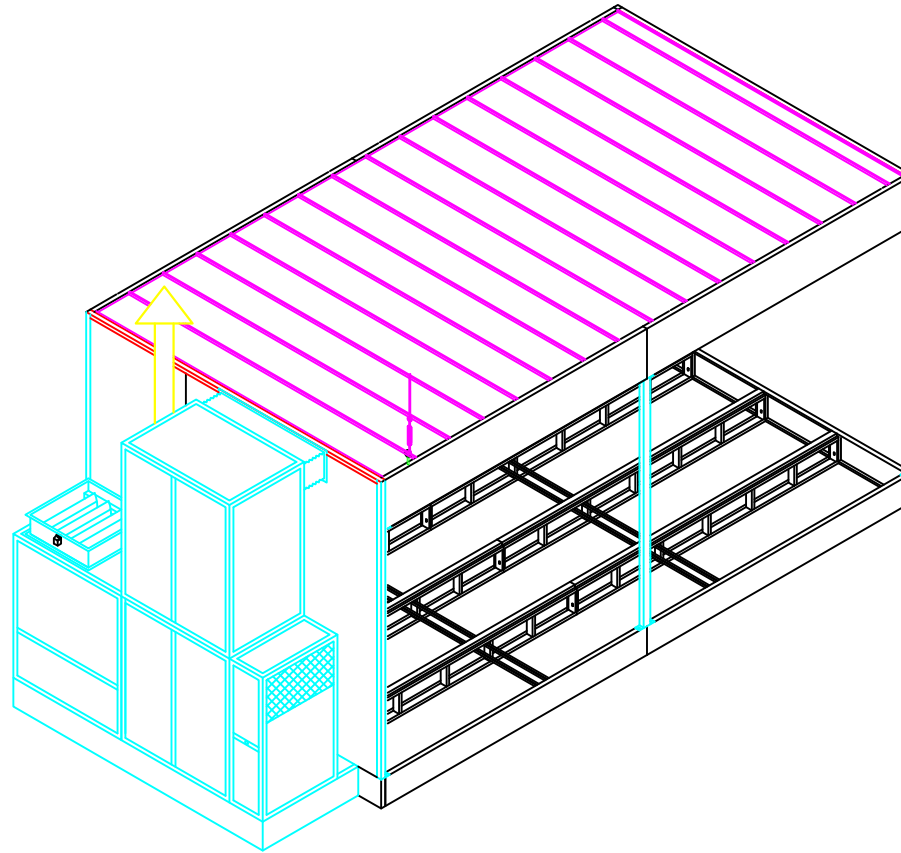


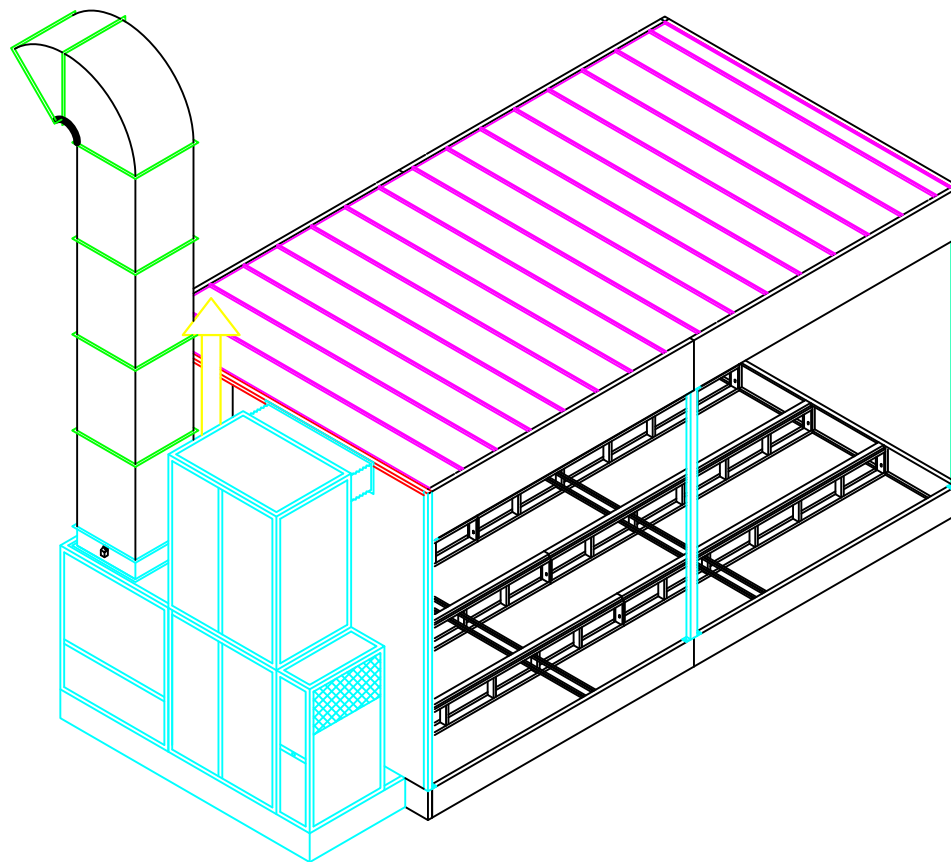
G11

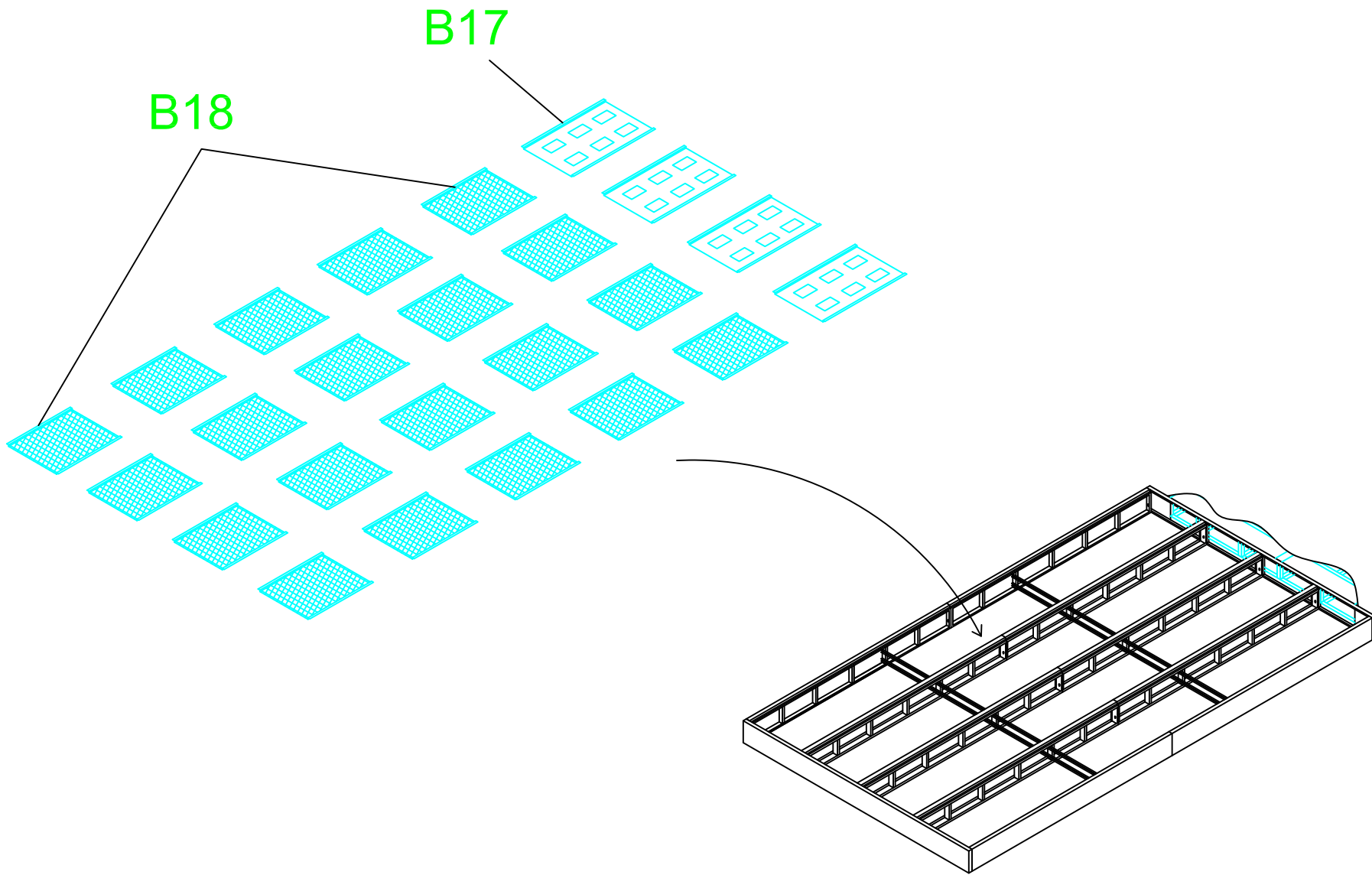


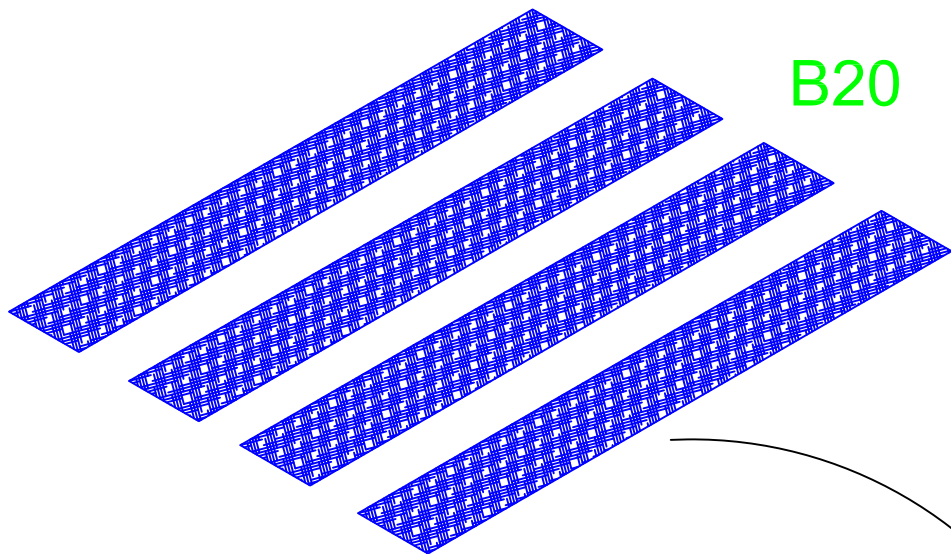
G8

G9

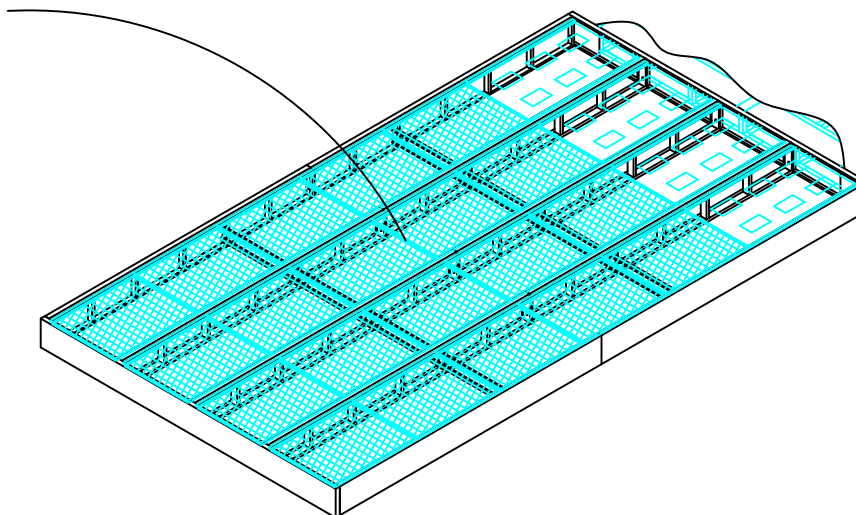


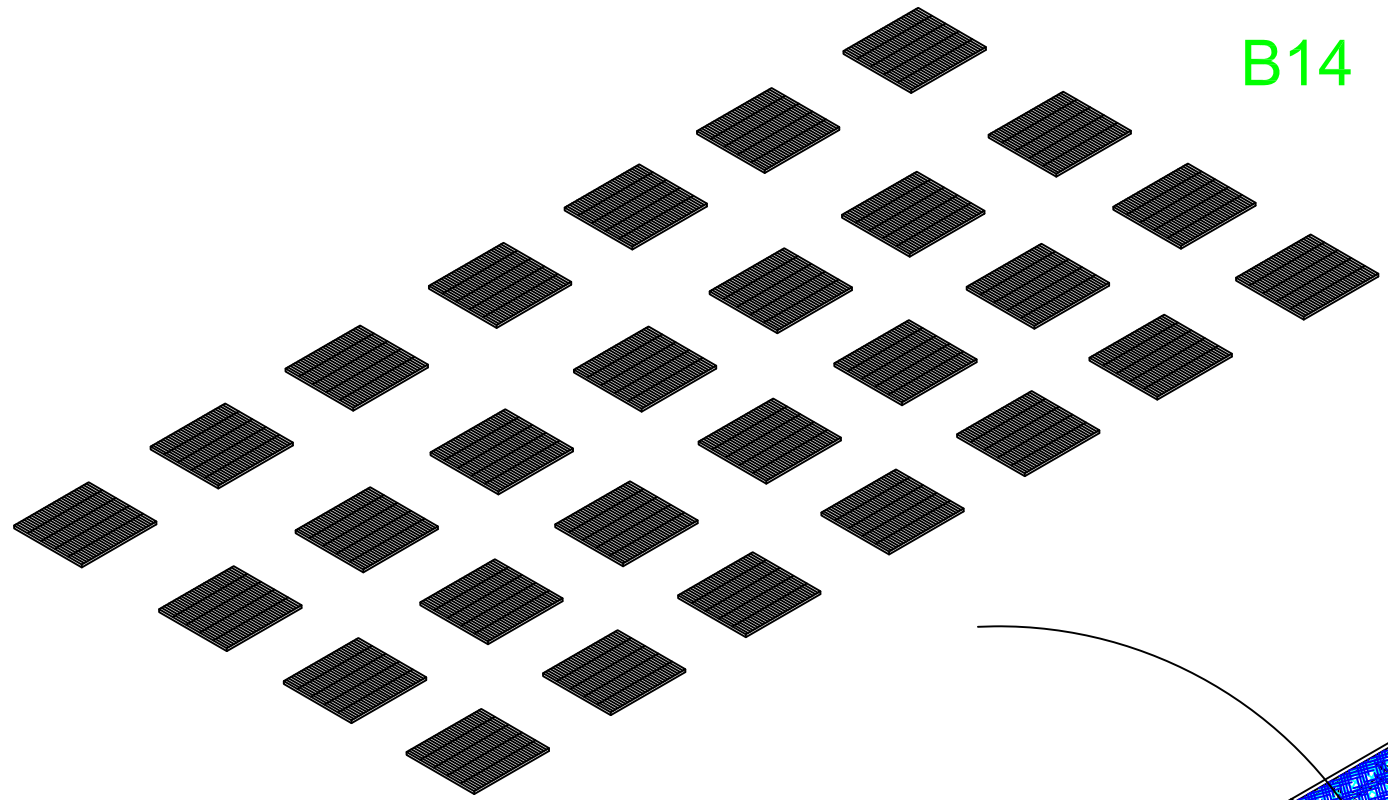




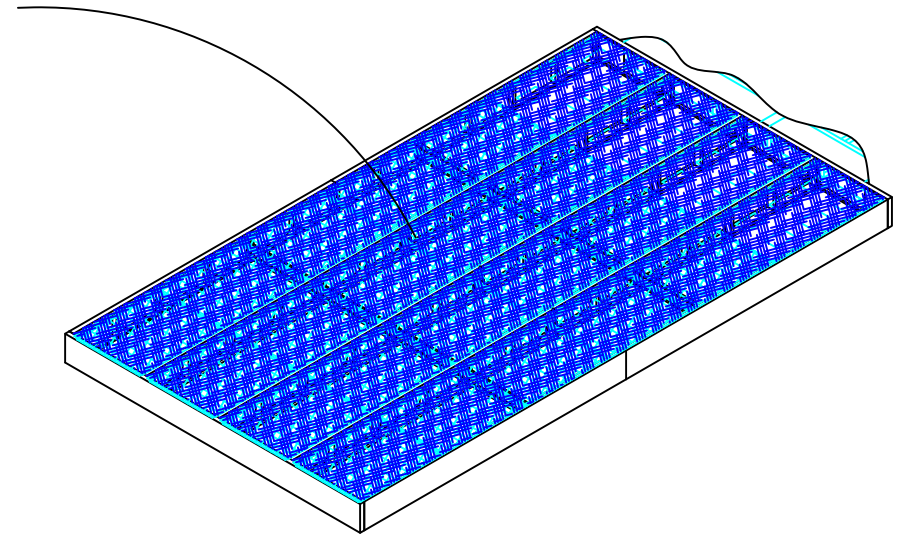


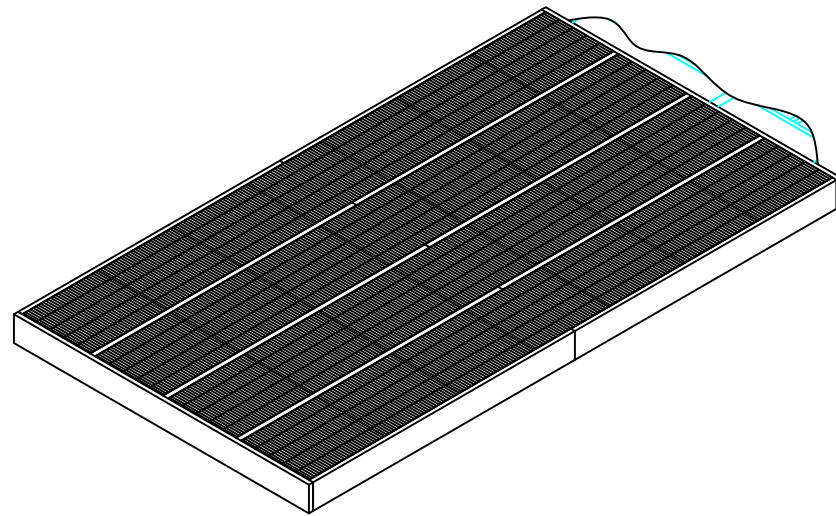
B20



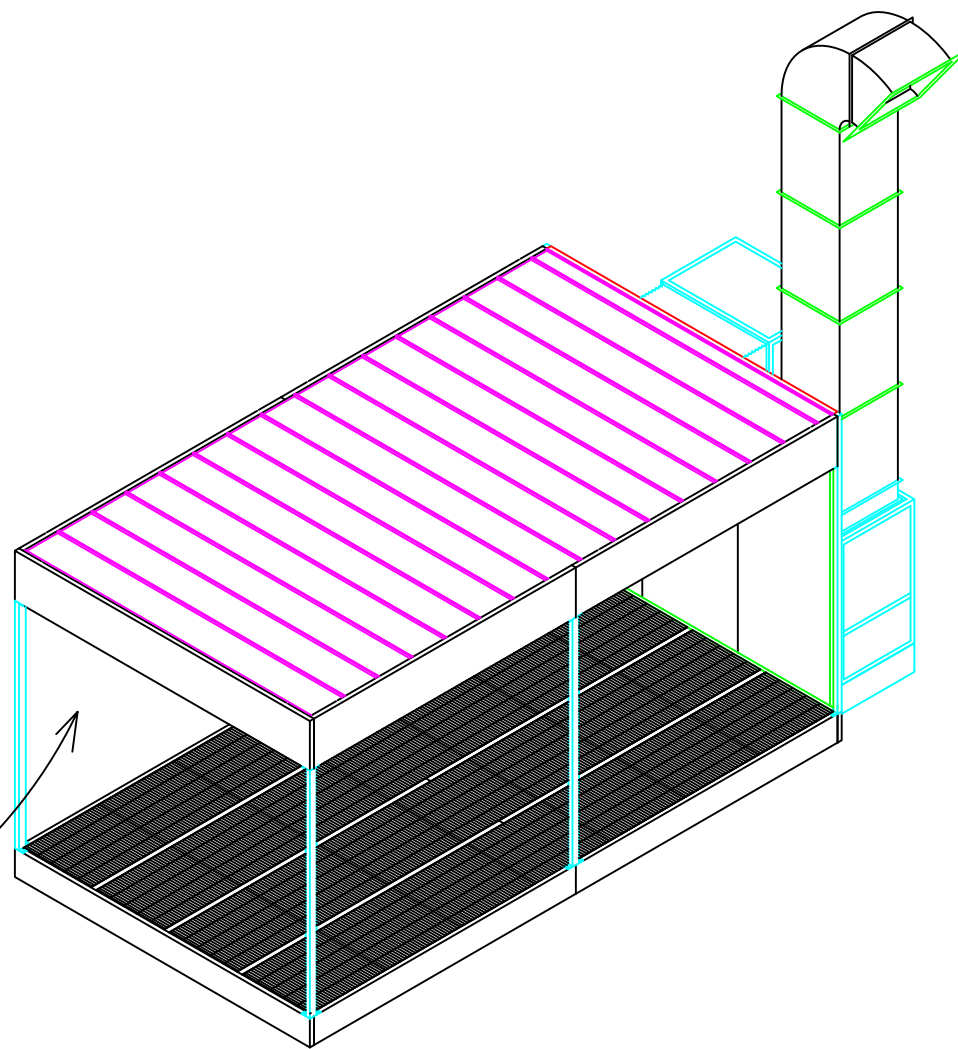
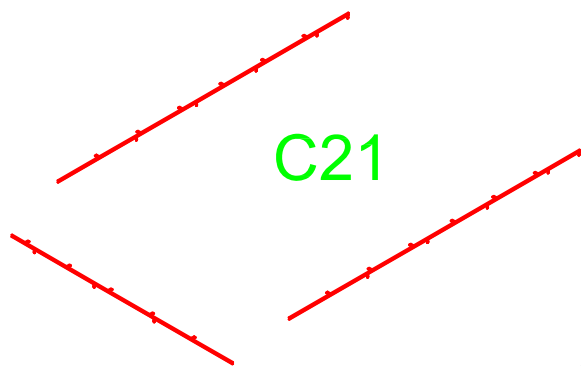
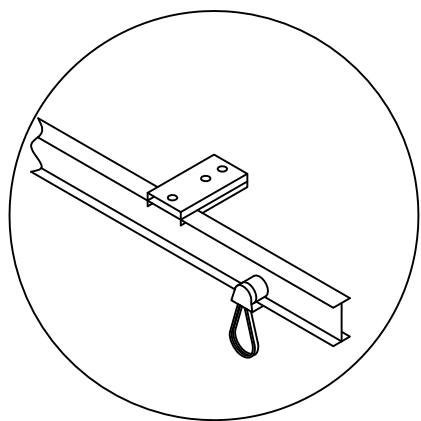


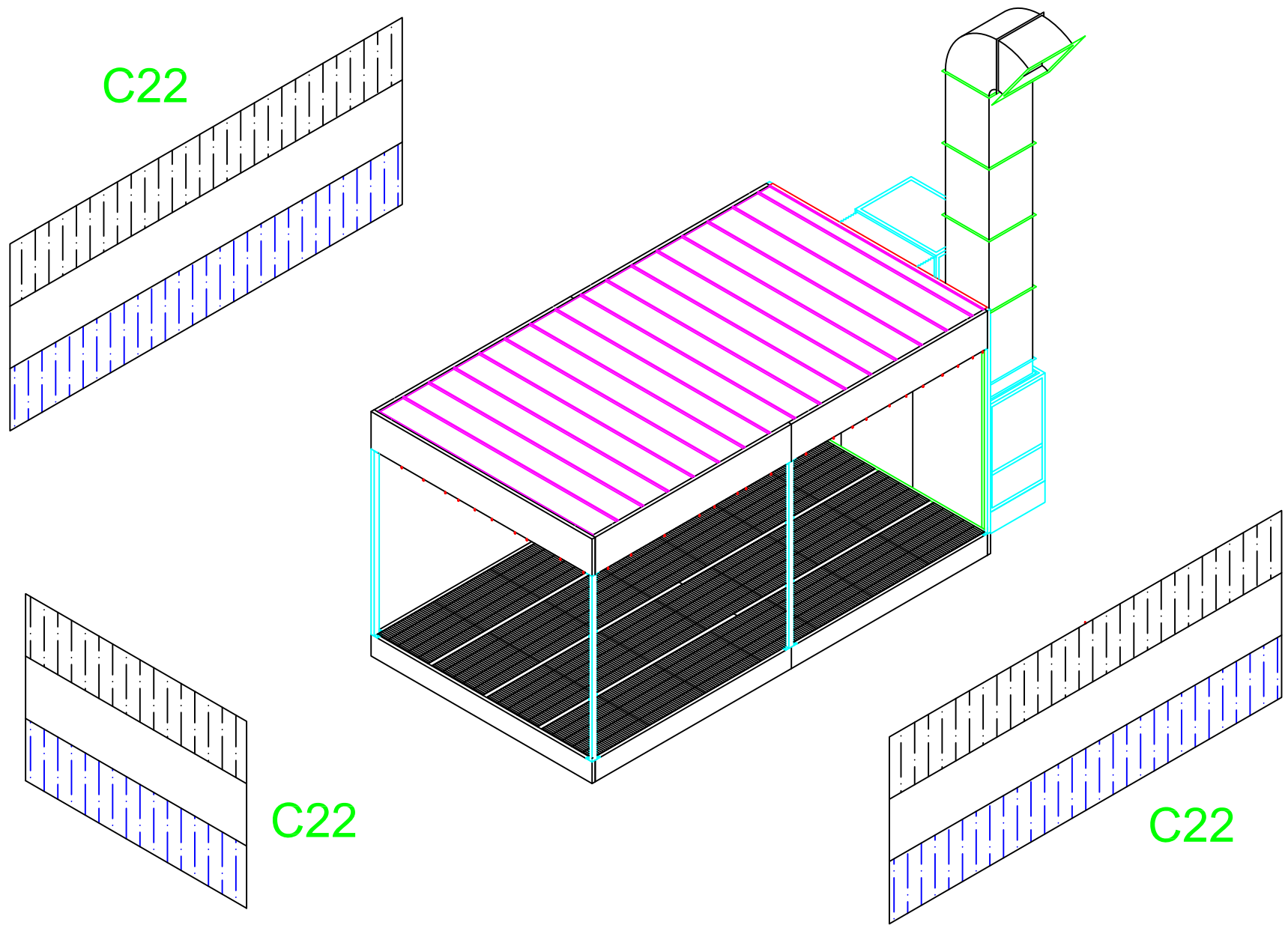
B14







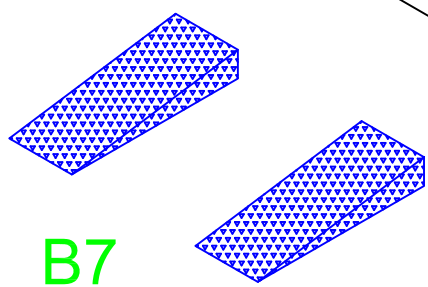
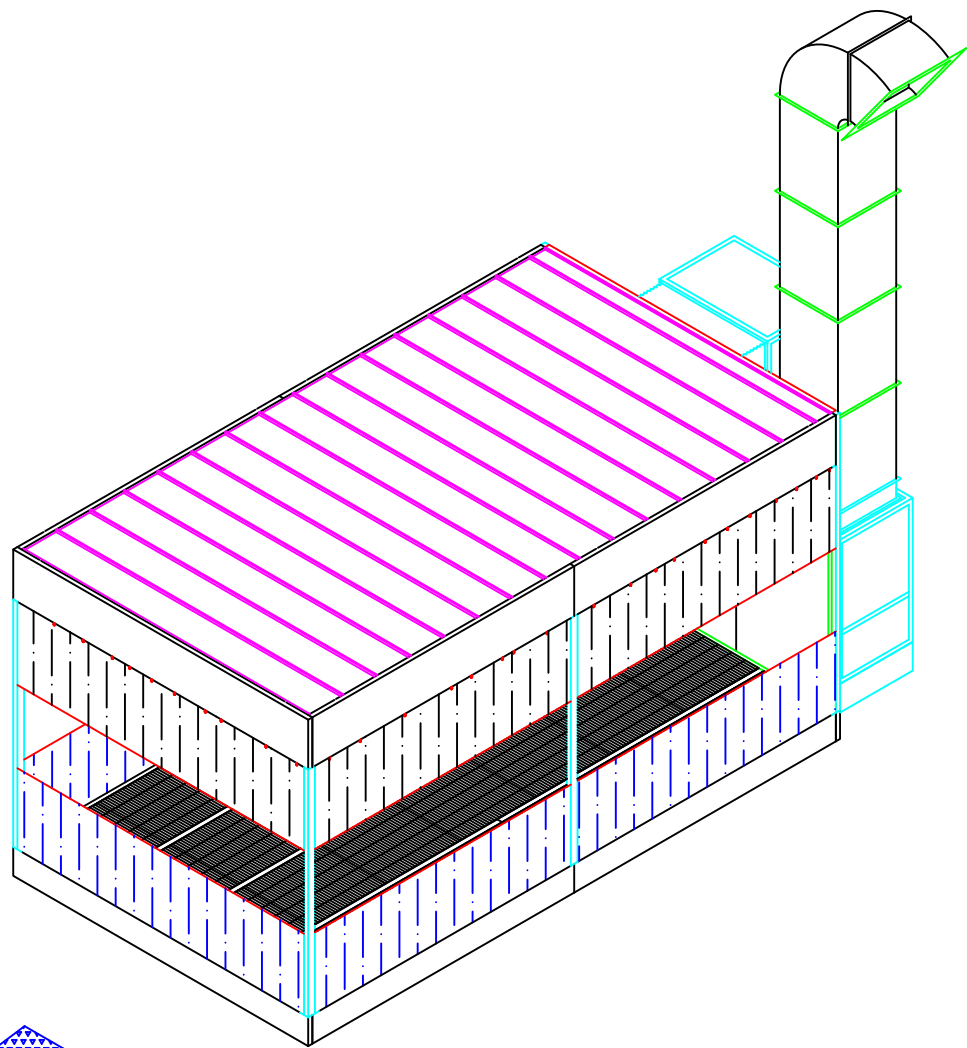




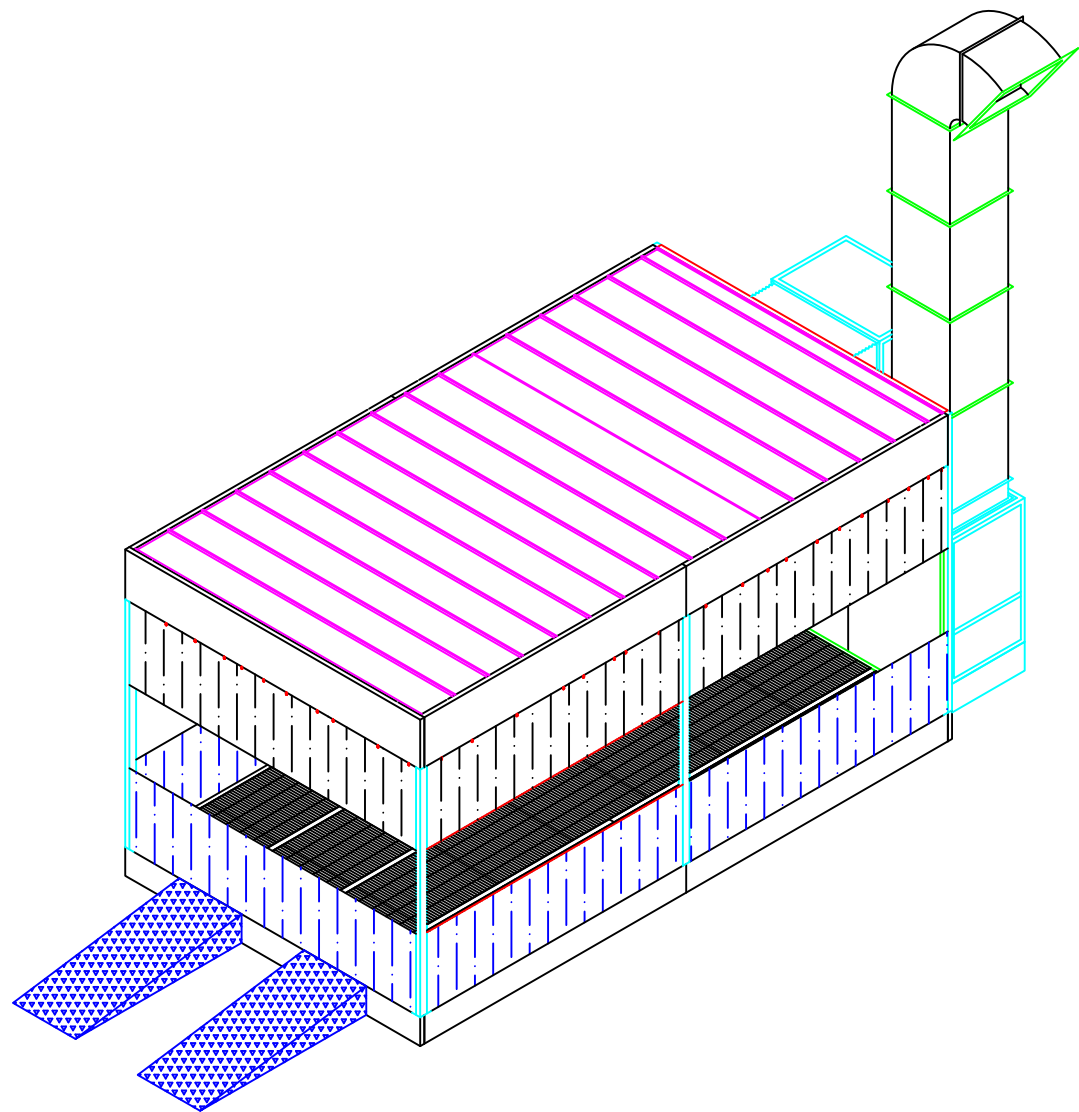
C22

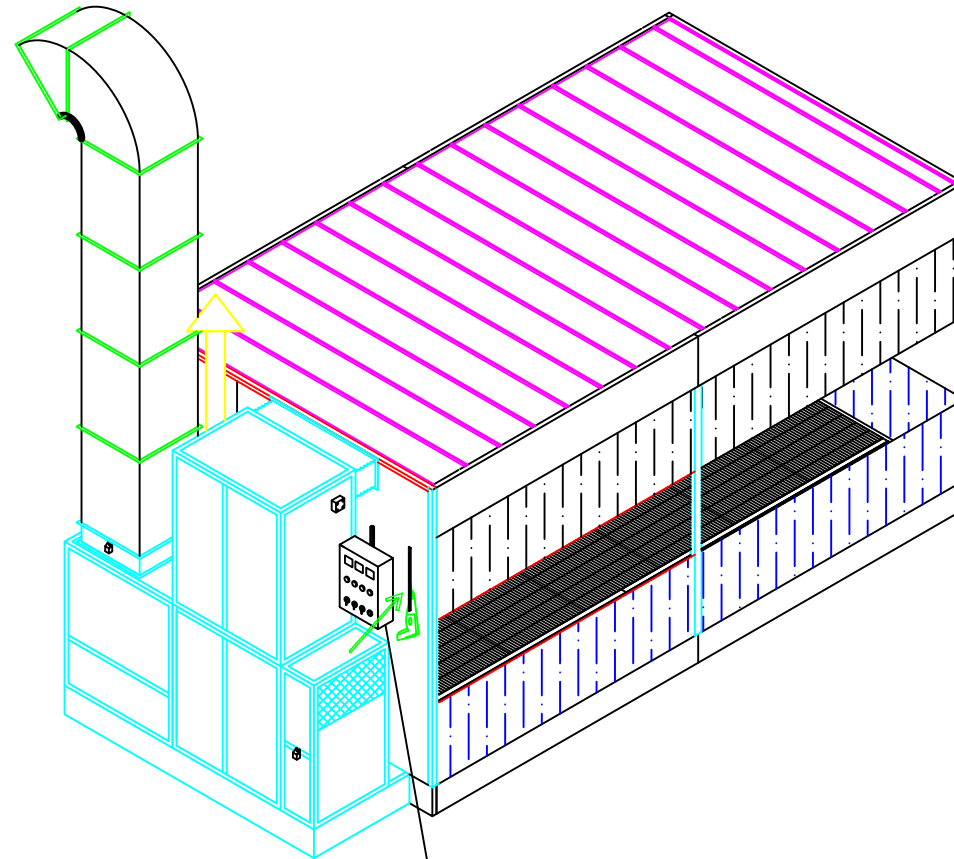
C22

C22



B7





S8

